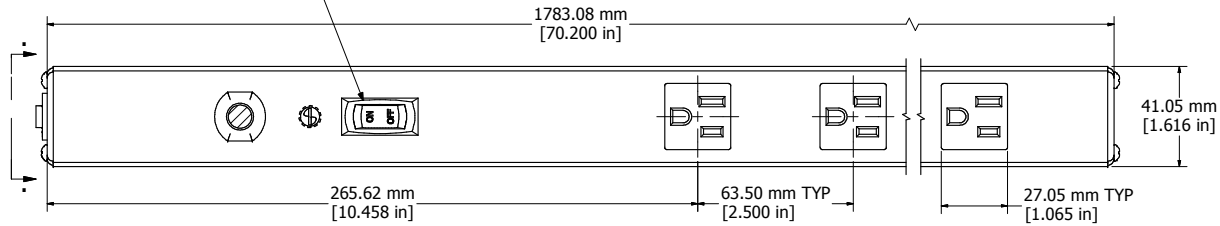
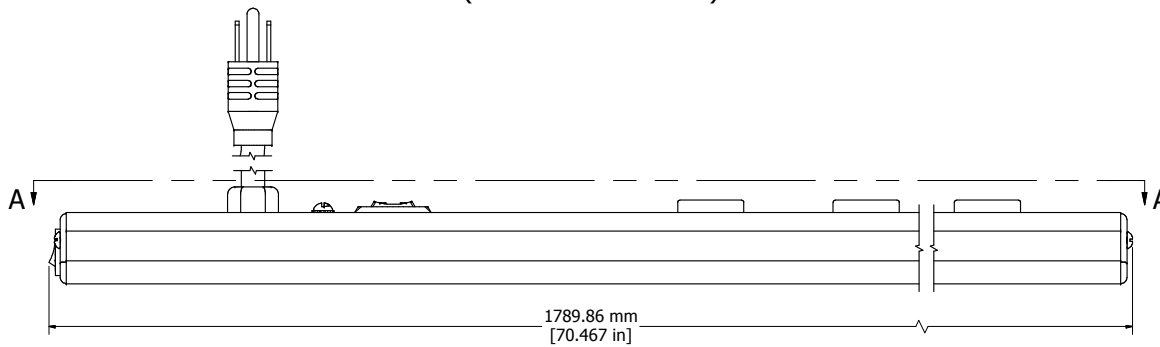


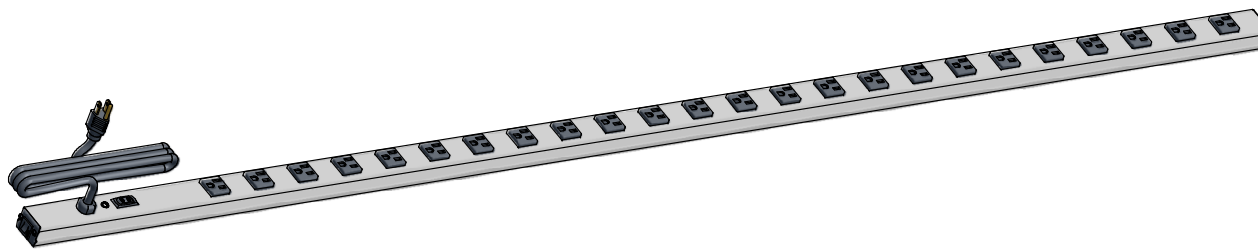
ON/OFF
POWER SWITCH



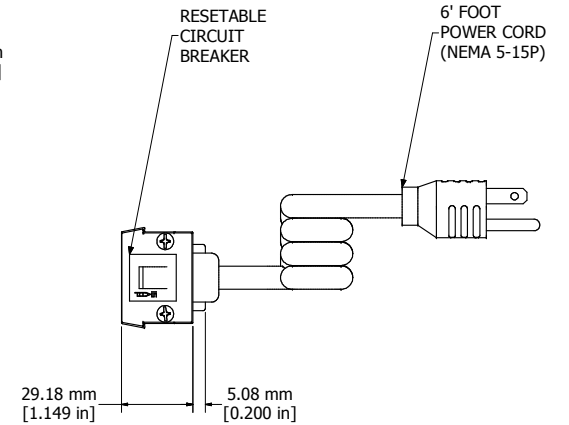
SECTION A-A
(VIEW FROM FRONT)



ASSEMBLY - VIEW FROM SIDE



ISOMETRIC VIEW



ASSEMBLY - VIEW FROM END

1587H24A1

Finish - Case - Anodized Aluminum Extrusion

Ends - ABS Plastic

Rated - 125 VAC, 60 Hz, 15 Amps

Approvals - CSA Certified Standards C22.2 (No. 21-95, 42-99)
- UL Listed Standard UL1363

Cord Length & Colour

1587H24A1 - 6' Foot Power Cord (NEMA 5-15P)

1587H24B1 - 15' Foot Power Cord (NEMA 5-15P)

Accessories Included

Mounting Bracket Kit with Hardware



**HAMMOND
MANUFACTURING™**

1587H24A1

www.hammondmfg.com