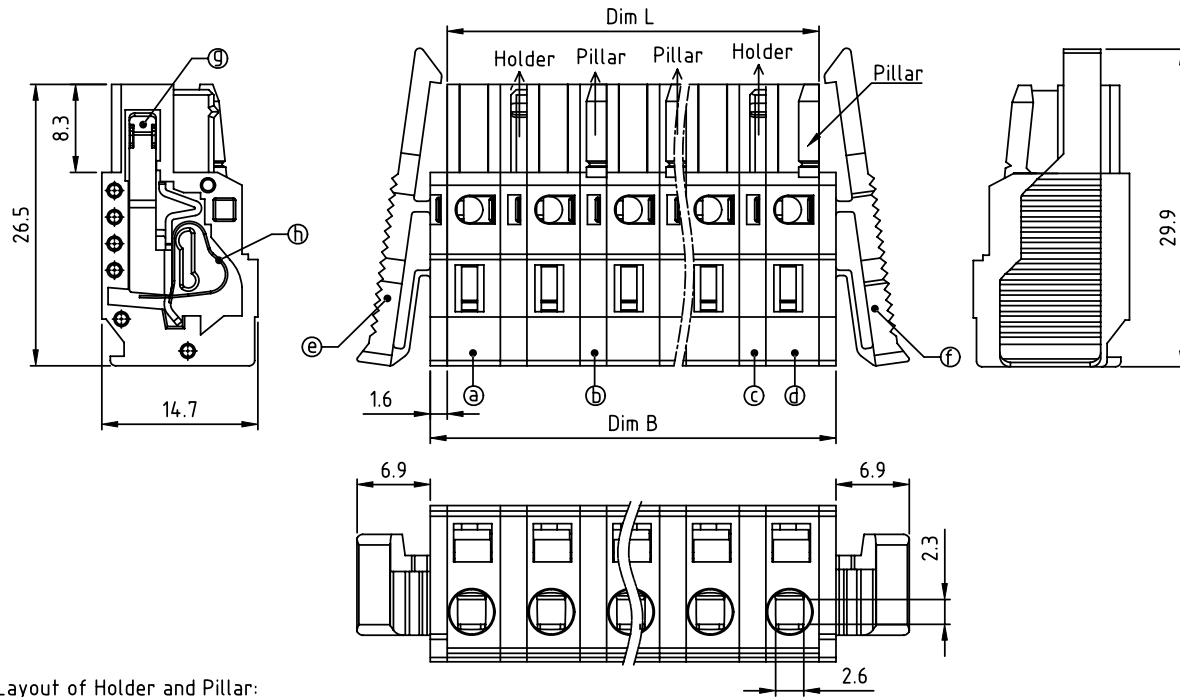
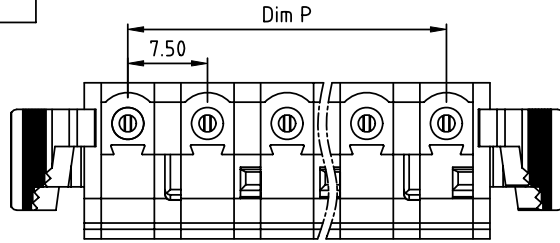


PRODUCT NUMBER	PITCH
Hlx21x300J0G	7.50 mm



Material:

- ItemⒶTerminal housing: Thermoplastic (UL94V-0)
- ItemⒷPad board(With pillar): Thermoplastic (UL94V-0)
- ItemⒸPad board(With holder): Thermoplastic (UL94V-0)
- ItemⒹTerminal housing(With pillar): Thermoplastic (UL94V-0)
- ItemⒺLeft cover with latch:Thermoplastic (UL94V-0)
- ItemⒻRight cover with latch:Thermoplastic (UL94V-0)
- ItemⒼFemale contact: PhBz. Tin plated
- ItemⒽSpring Clamp: Stainless steel

Electrical:

- Voltage rating: 300 V
- Current rating: 8 A (mated with NC series)
- Wire range:
- Solid wire(AWG): 12-28
- Stranded wire(AWG): 12-28
- Wire strip length: 8-9 mm
- Withstanding Voltage: 1.6KV
- Operating temperature: -40°C to +115°C

Layout of Holder and Pillar:

2P	Holder+Pillar
3P	Holder+Holder+Pillar
4P	Holder+Pillar+Holder+Pillar
5P	Holder+Pillar+Pillar+Holder+Pillar
5P over	Holder+Pillar+...+Pillar+Holder+Pillar

DIMENSION

Dim L=N×7.5-2.5
Dim P=(N-1)×7.5
Dim B=N×7.5+0.7

N=Number of poles

Poles	Tolerance
2P-4P	±0.15
5P-8P	±0.25
9P-12P	±0.30
13P-16P	±0.40

PART NO.: HI xx 21 x 3 00J0 G

End stackable 0	Color	RoHS compliant
No. of poles 2	Black (RAL9005)	(lead<4%)
02 2 poles	Red (RAL3001/D)	In copper Alloy
03 3 poles	3 Orange(RAL2011/P)	
...	4 Yellow(RAL1018/A)	
...	5 Green(RAL6018/T)	
16 16 poles	6 Blue (RAL5015/A)	
	8 Grey(RAL7035/D)	
	9 White(RAL1102)	
	C Green(RAL6018/U)	

mat'l. code		surface ASME Y14.5	tolerance ASME Y14.5	projection	product family
ltr	ecn no	dr	date	MM	TERMINAL BLOCK
tolerances unless otherwise specified				scale	title
angles	X±0.5	TERMINAL BLOCK			
X*±1"	X.X±0.3	SPRING CLAMP, PLUGGABLE PLUG, WITH LATCH,			
dr	EVIN ZHONG	051414	100% PROTECTED AGAINST MISMATING		
enrg	EVIN ZHONG	051414	scale	dwg no	
chr	HANKE FENG	051414	FCI	Hlx21x300J0G	
appd	SHI JUN	051414	sheet 1 of 1	size	
sheet index	revision sheet	A	1	A4	
				type	CUSTOMER Drawing