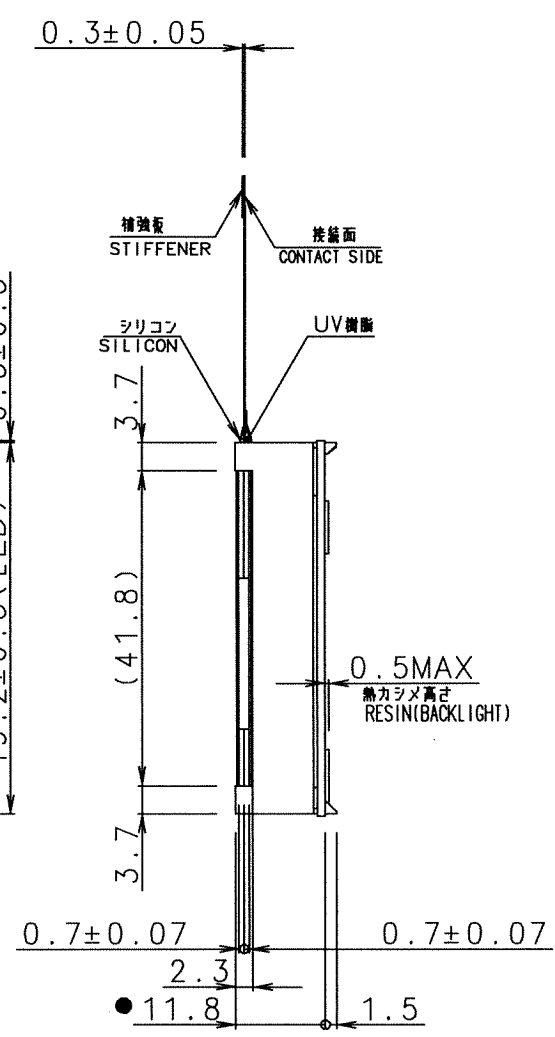
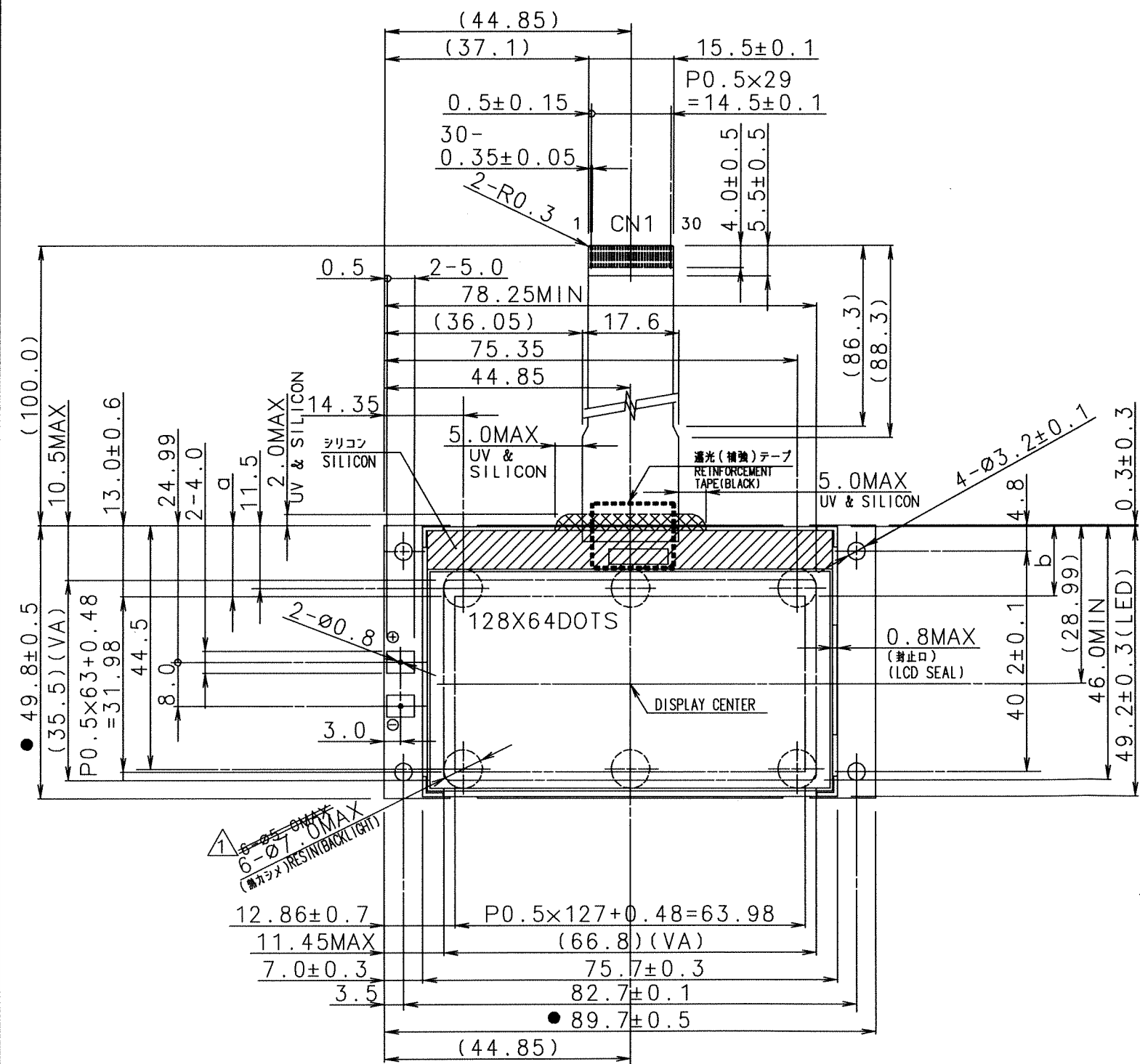
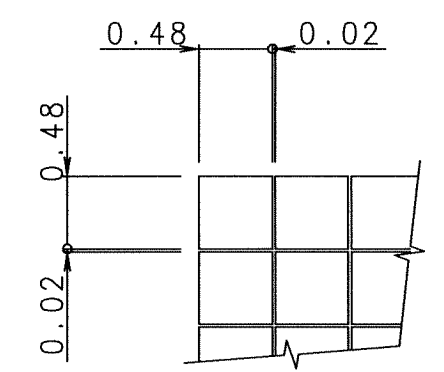


CN1 PIN ASSIGNMENT

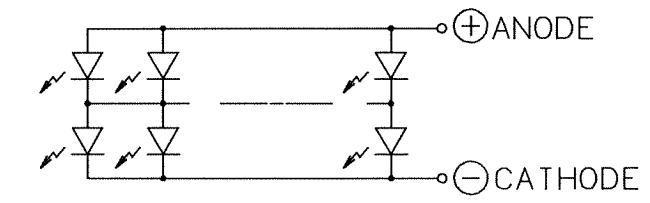
No.	SYMBOL	No.	SYMBOL	No.	SYMBOL
1	NC	11	D4	21	CAP2 ⁻
2	CS1	12	D5	22	CAP2 ⁺
3	RES	13	D6	23	V1
4	A0	14	D7	24	V2
5	WR	15	V _{DD}	25	V3
6	RD	16	GND	26	V4
7	D0	17	V _{OUT}	27	V5
8	D1	18	CAP3 ⁻	28	VR
9	D2	19	CAP1 ⁺	29	C86
10	D3	20	CAP1 ⁻	30	IRS



DOTS DETAIL (20:1)



28 CHIPS (2X14)



注記
 NOTE 1. 表示傾き: |a-b| ≤ 0.5 (Display skew)
 2. ●印の付いた寸法, 仕様は管理特性の指示を示す。
 THE DIMENSIONS WITH THE MARK (●) ARE CONTROLLED AS A PARTICULAR CHARACTERISTIC.

TOLERANCE			THIRD ANGLE PROJECTION	DATE	OPTREX CORPORATION	
MEASURE	A	B		C		DEC.22'00
L ≤ 16	±0.1	±0.3	±1	UNIT	TITLE	
16 < L ≤ 63	±0.2	±0.5	±1.5	mm	APPROVED S.Matsuoka	
63 < L ≤ 250	±0.3	±0.8	±2	SCALE	CHECKED M.Kinoshita	
250 < L ≤ 500	±0.5	±1.2	±3	1:1	DRAWN K.MURAKAMI	
500 < L	±0.8	±2	±4			
ANGLE	±1°	±5°	±10°			
					CODE	F-51320GNY-LY-AA
					DWG NO	UE-310360 A