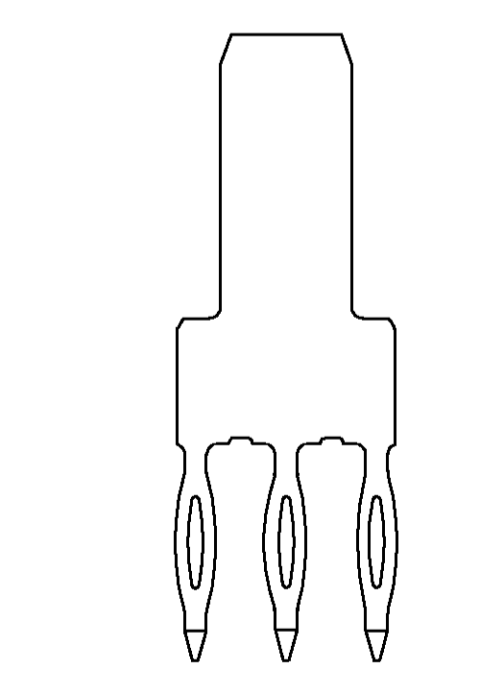
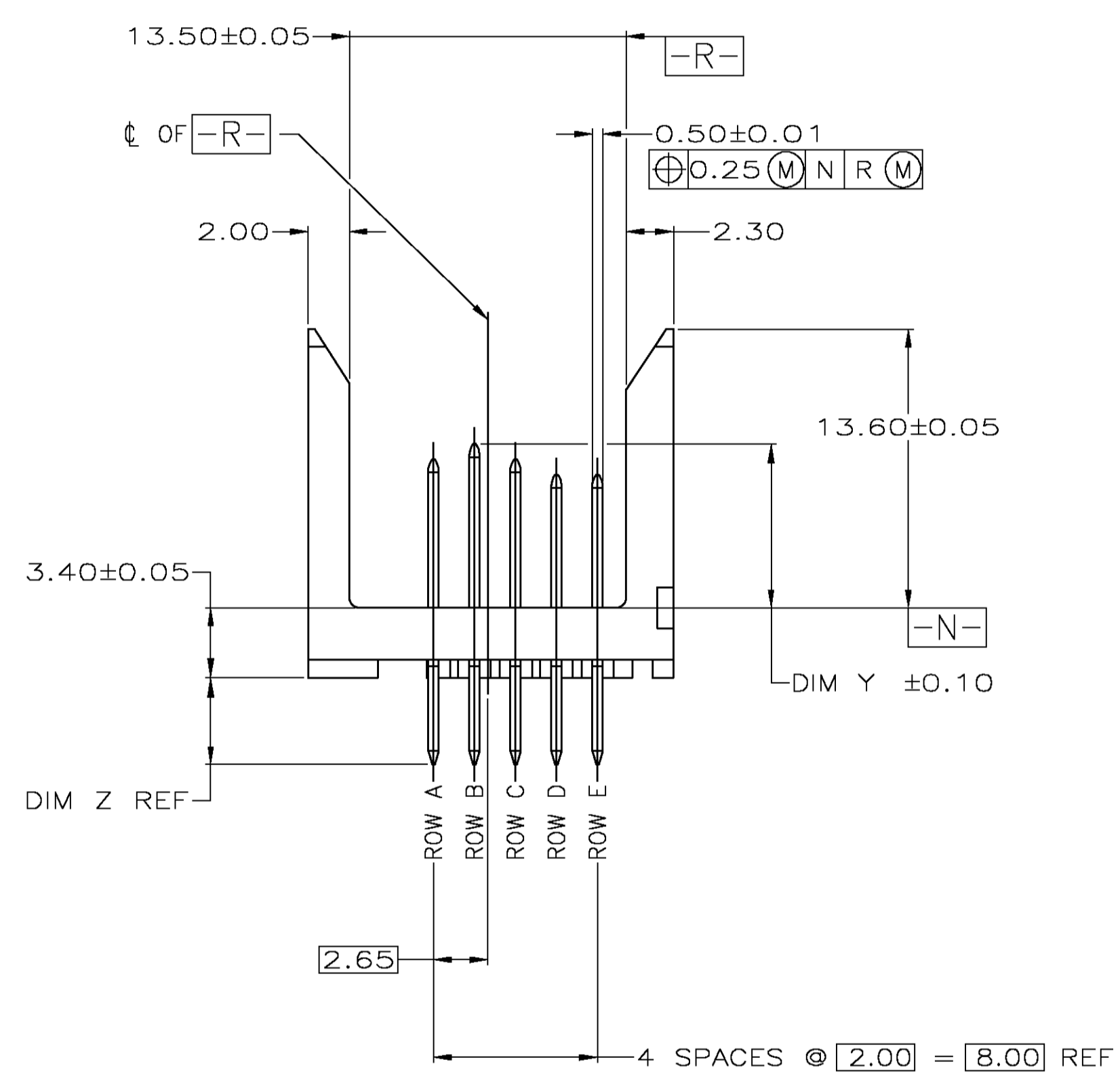


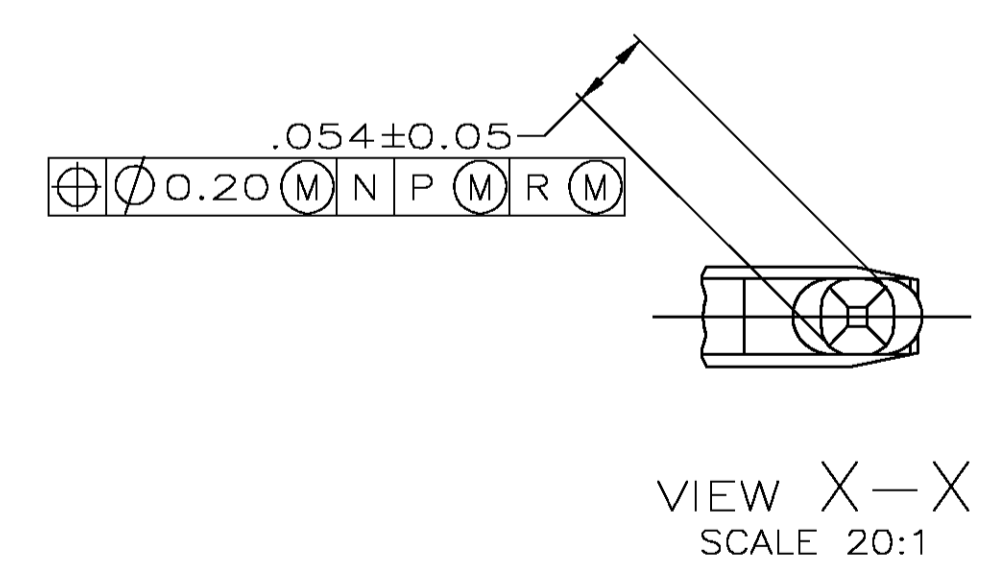
AC	8.00	4.25
AB	7.25	4.25
AA	6.50	4.25
LETTER CODE	DIM Y	DIM Z

E	AA	AA	E				
D	AA	AA	D				
C	AB	AB	C				
B	AC	AC	B				
A	AB	AB	A				
ROW	1	2	3	4	5	6	ROW
POSITION							
CONTACT LOAD CHART							

- △ HOUSING MATERIAL: LIQUID CRYSTAL POLYMER.
COLOR: NATURAL.
- △ CONTACT MATERIAL: PHOSPHOR BRONZE
- △ CONTACT FINISH:(D)
UNDERPLATE (ENTIRE CONTACT):
0.00127 MIN NICKEL PER SAE-AMS-QQ-N-290
ON MATING SURFACES:
FLASH GOLD PER ASTM B 488, OVER
0.00076 MIN PALLADIUM-NICKEL OVER UNDERPLATE, OR
0.00076 MIN GOLD PER ASTM B 488 OVER UNDERPLATE.
ON LEADS:
0.00127 MIN MATTE TIN PER ASTM B 545 OVER UNDERPLATE.
LUBRICATION (MIN MATING SURFACES):
SURFACE CONDITIONER AFTER PLATING.
- △ PART MARKING LOCATED APPROXIMATELY AS SHOWN.



SECTION A-A
SCALE 6:1



VIEW X-X
SCALE 20:1

△	5536684-1
FINISH	PART NUMBER

THIS DRAWING IS A CONTROLLED DOCUMENT.

DIMENSIONS:	TOLERANCES UNLESS OTHERWISE SPECIFIED:	DIN	7-21-98	Tyco Electronics Corporation Harrisburg, Pa 17105-3608	
mm	0 PLC ± - 1 PLC ± - 2 PLC ± 0.13 3 PLC ± - 4 PLC ± - ANGLES ± -	CHK	7-29-98		
MATERIAL	FINISH	AP'D	7-29-98	NAME D. KOVALICK PRODUCT SPEC	
△	△	APPL. SPEC			
CUSTOMER DRAWING		SIZE	CAGE CODE	DRAWING NO	RESTRICTED TO
		A1	00779	5536684	
		SCALE	4:1	SHEET	1 OF 1
		REV	0		