

4

3

2

1

THIS DRAWING IS UNPUBLISHED.

RELEASED FOR PUBLICATION

---

© COPYRIGHT - By -

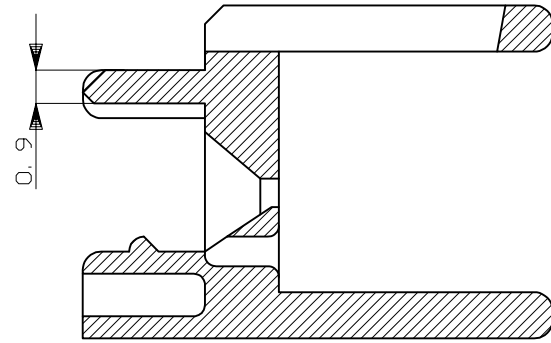
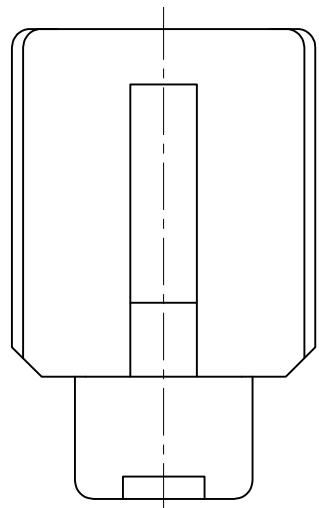
ALL RIGHTS RESERVED.

LOC

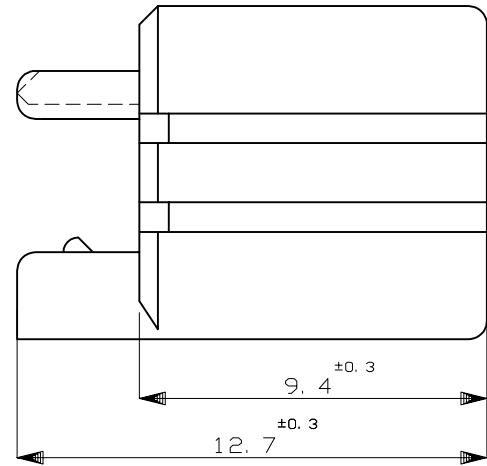
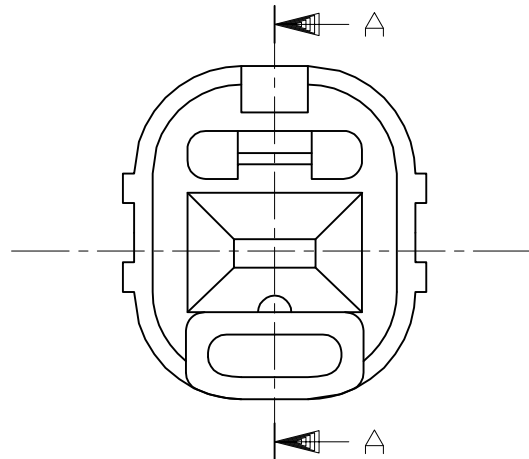
DIST

REVISIONS

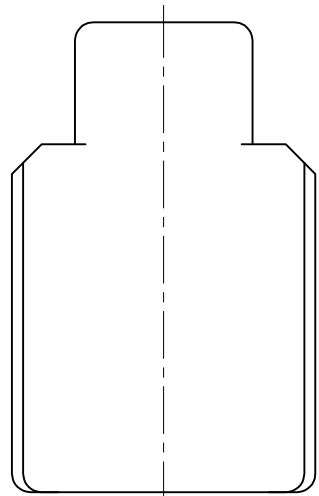
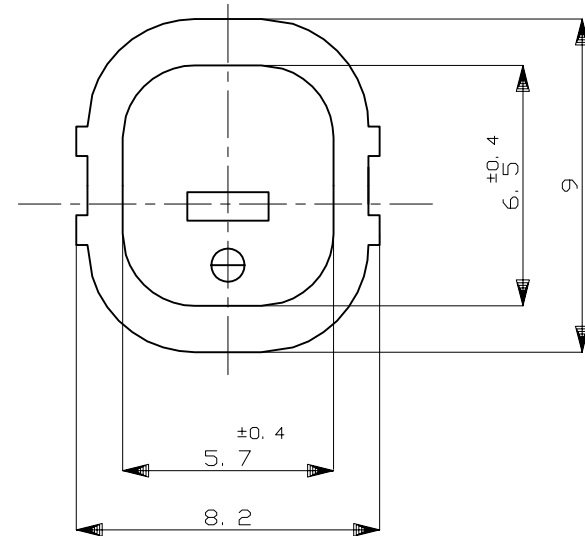
P	LTR	DESCRIPTION	DATE	DWN	APVD
	B1	REVISED	ECR-15-000191	08JAN2014	TS KB




SECTION 断面 A-A



1. 本品は、キャップハウジング型番 174879 に装着される。  
 1. TO BE MATED WITH CAP HOUSING (PN:174879)



HB	自然色 (NATURAL)	1-174880-1
V-2	黄 (YELLOW)	174880-7
使用材料難燃グレード (FLAMMABILITY OF MATERIAL)	色 (COLOR)	型番 (PART NUMBER)

THIS DRAWING IS A CONTROLLED DOCUMENT.		DWN	K.ODA	10/19'87	 TE Connectivity	
DIMENSIONS: mm		CHK	Y.MATSUSAKA	10/20'87		
TOLERANCES UNLESS OTHERWISE SPECIFIED:		APVD	M.NOGUCHI	10/20'87		
0 PLC ± - 1 PLC ± - 2 PLC ± - 3 PLC ± - 4 PLC ± - ANGLES ± -		PRODUCT SPEC	108-5262			
MATERIAL		APPLICATION SPEC	-		NAME	1P ECONOSEAL J-MARKII+ CONNECTOR DOUBLE LOCK PLATE FOR CAP HOUSING
PBT		FINISH	-		SIZE	A3
GENERAL TOLERANCE		WEIGHT	-		CAGE CODE	00779
0 < * ≤ 10 : ±0.2 10 < * ≤ 30 : ±0.25 30 < * ≤ 100 : ±0.3 ANGLES : ±3°		CUSTOMER DRAWING		DRAWING NO	C=174880	
		SCALE	5:1		RESTRICTED TO	-
		SHEET	1 of 1		REV	B1