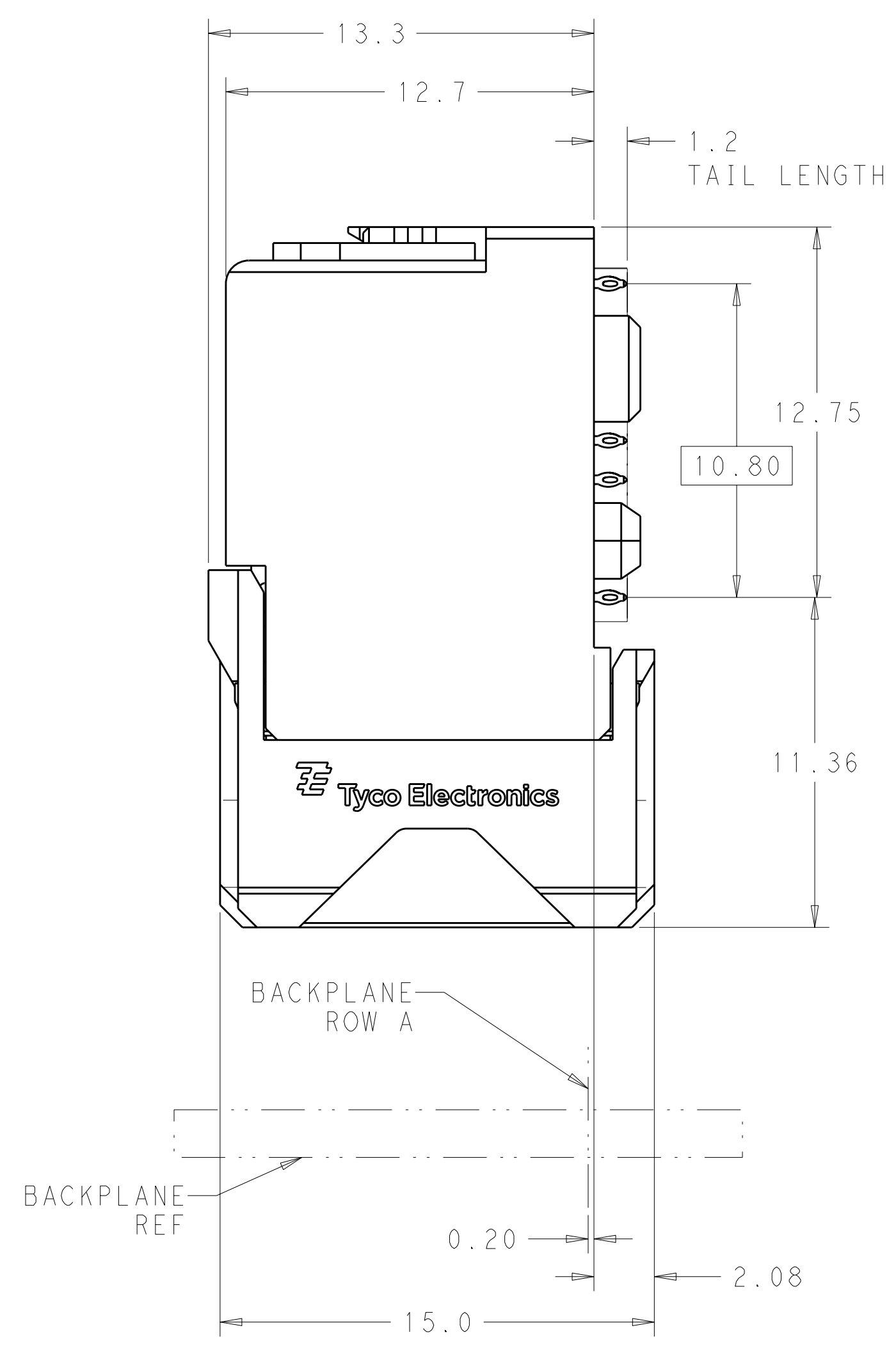
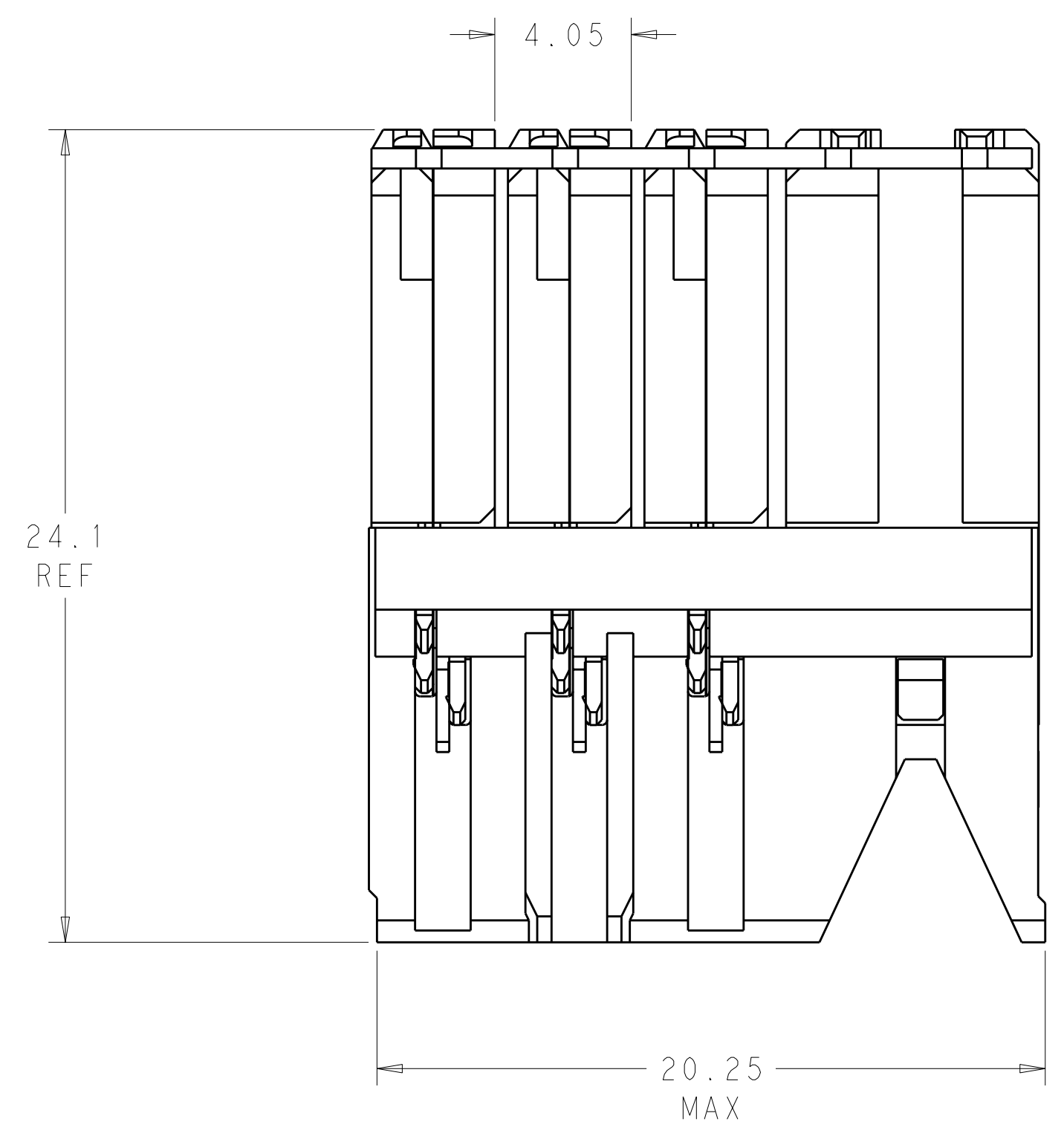
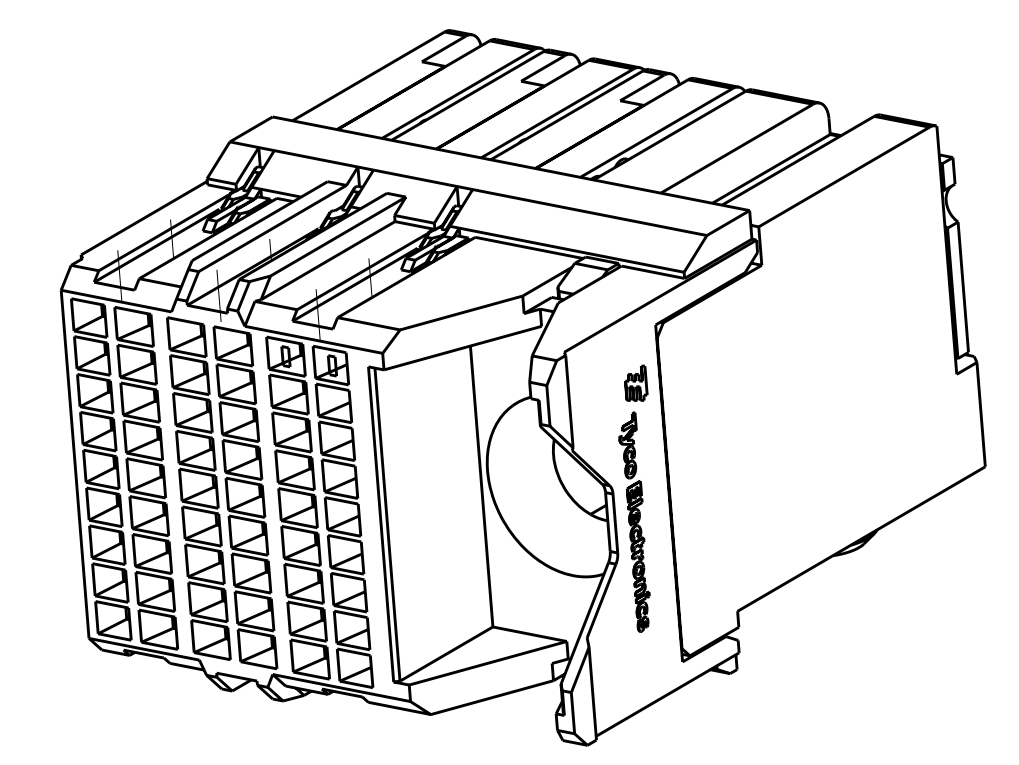


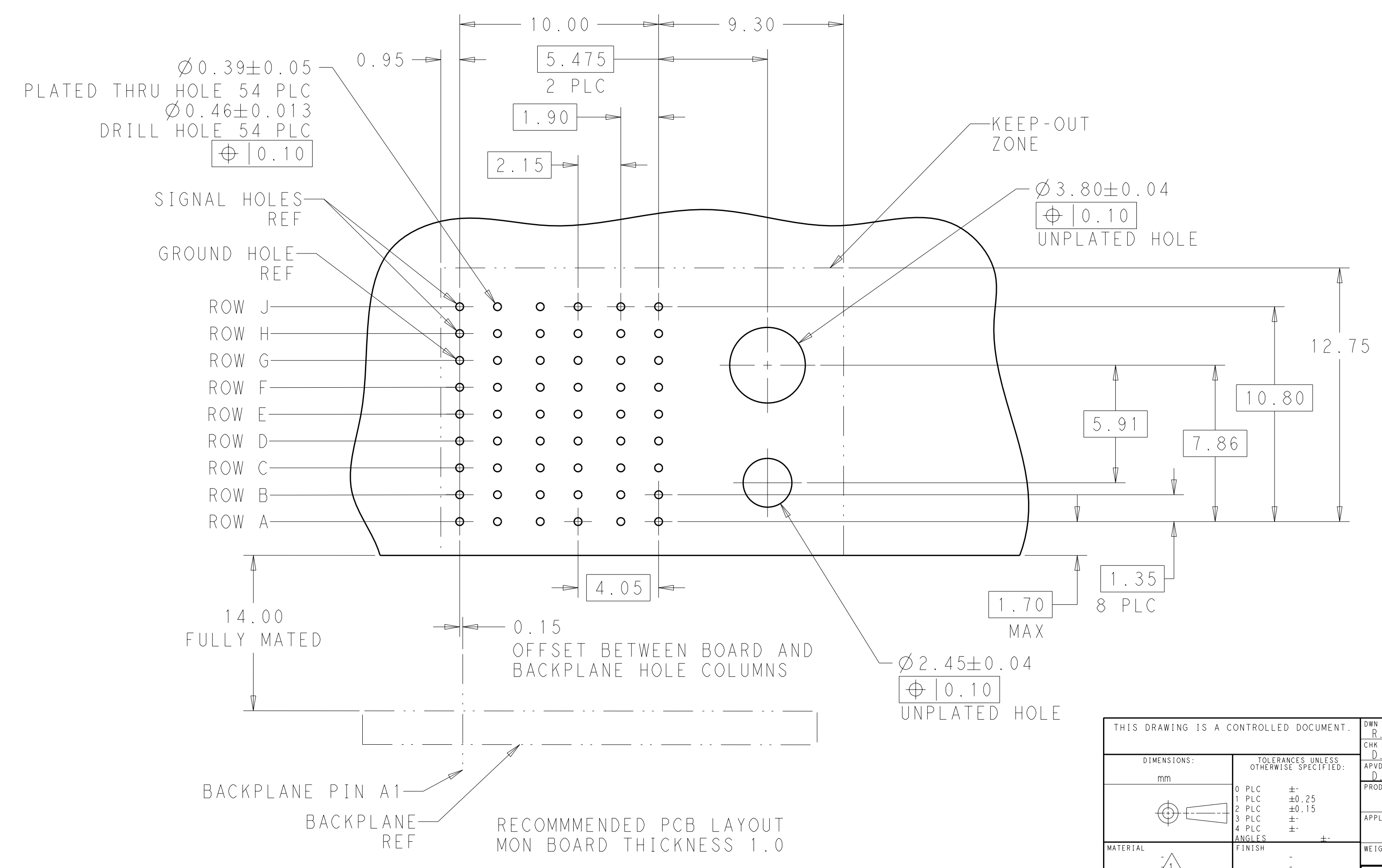
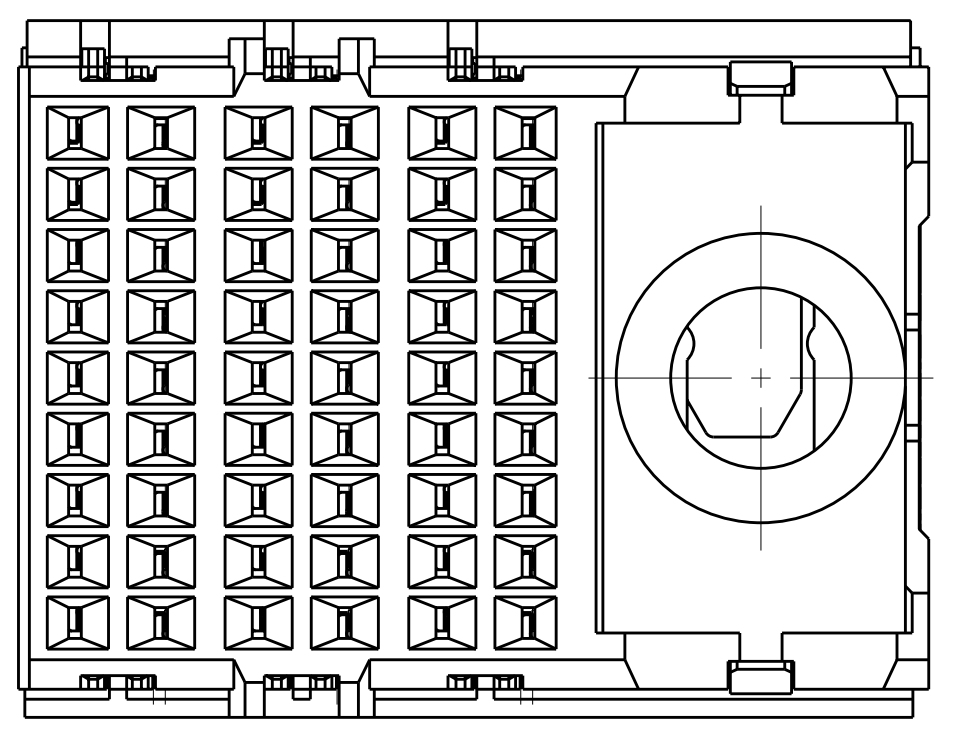
LOC	DIST	REV	DATE	DWN	APVD
AD	00	B	11APR2012	KH	DD
		REVISIONS			
		DESCRIPTION	DATE	DWN	APVD
		REVISED PER ECO-12-003566	11APR2012	KH	DD



- △ MATERIAL:
HOUSING: LCP, GLASS FILLED, UL94V-0
TERMINALS: HIGH PERFORMANCE COPPER ALLOY
- △ FINISH:
30u" SELECTIVE GOLD IN CONTACT AREA, SELECTIVE TIN ON PCB TAILS, NICKEL OVERALL
- 3. EACH SIGNAL WAFER CONTAINS 2 COLUMNS OF TERMINALS
- △ FINISH:
30u" SELECTIVE GOLD IN CONTACT AREA, SELECTIVE TIN-LEAD ON PCB TAILS, NICKEL OVERALL



SCALE 4:1



△ 4	2132423-5
△ 2	2132423-1
FINISH	PART NUMBER

THIS DRAWING IS A CONTROLLED DOCUMENT.

DIMENSIONS:	TOLERANCES UNLESS OTHERWISE SPECIFIED:	DWN R. GRZYBOWSKI ZODEC2011	NAME
mm	9 PLC ±0.25	CHK D. DIXON ZODEC2011	MAPCT, 3 PR., 6 COL., DAUGHTERCARD,
	3 PLC ±0.15	APVD D. DIXON ZODEC2011	RIGHT GUIDED SIGNAL MODULE
	5 PLC ±	PRODUCT SPEC	0.39 EYELET, ORTHOGONAL
	4 PLC ±	APPLICATION SPEC	SIZE CAGE CODE DRAWING NO RESTRICTED TO
	ANGLES ±	WEIGHT	A100779C=2132423
MATERIAL	FINISH	CUSTOMER DRAWING	SCALE 6:1 SHEET 1 OF 1 REV B