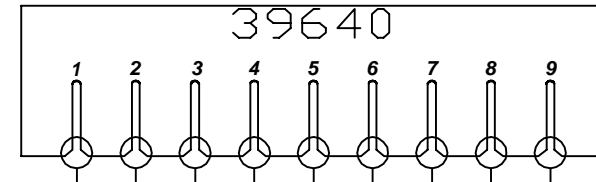


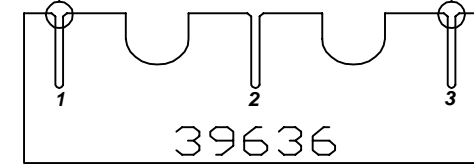
# Assembly Instructions for - 37198

Folded Long Partition



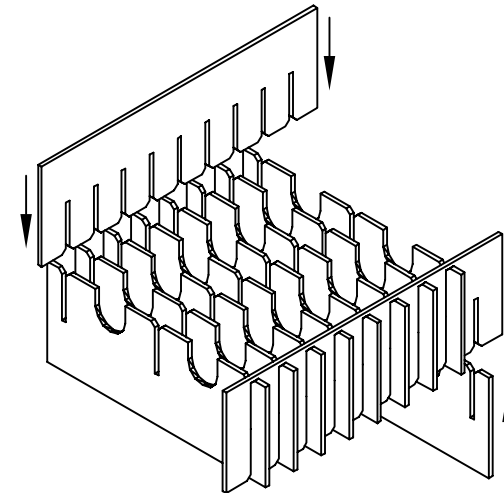
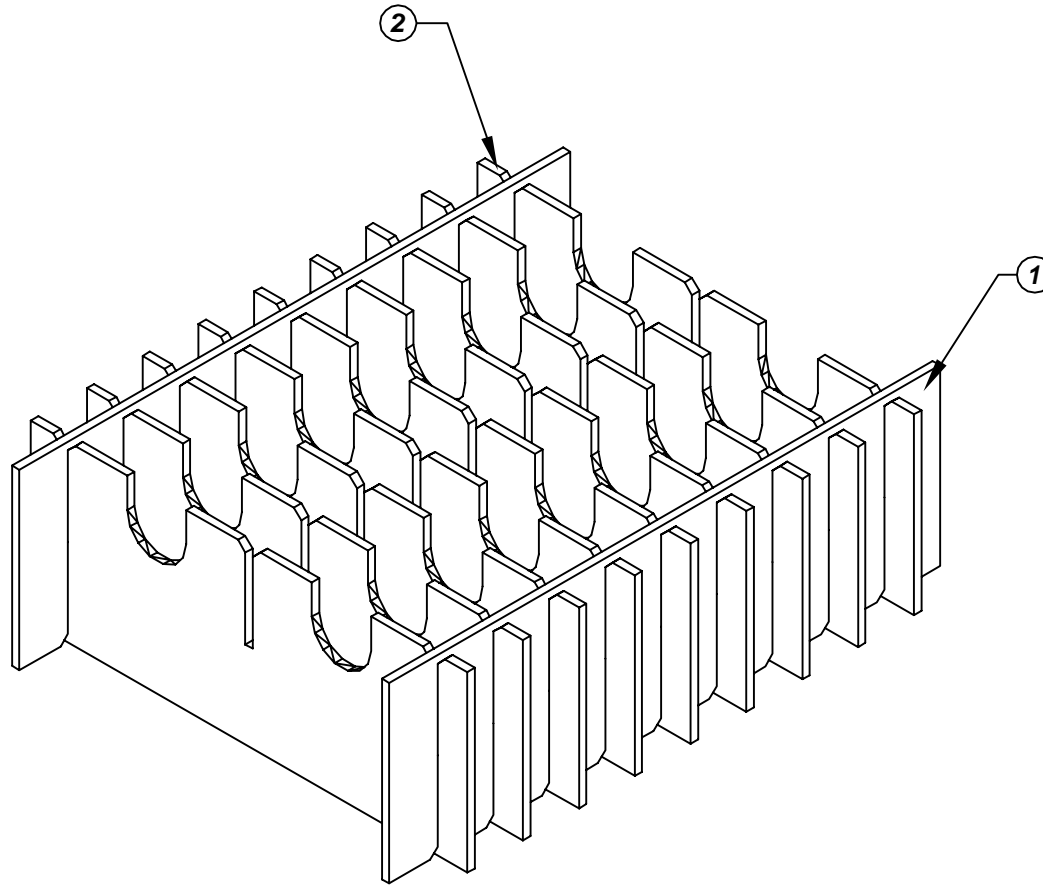
①

Use only the circled slots for partition assembly



②

Folded Short Partition



Made in America

F/N	Part #	Dimensions:	Description:	Qty:
①	39640	12" x 18-5/8"	406-HLP Long Partition	2
②	39636	12" x 14-3/4"	406/468-HSP Short Partition	9

## 37198 - 10 Cell Inplant Handler Cell Size - 5-7/8" x 12-3/4" x 1-5/8"

Notes:  
For use with the following storage container & lid:  
37506 - Storage Container  
37554 - Lid

PROTEKTIVE PAK  
13520 MONTE VISTA AVENUE, CHINO, CA 91710  
PHONE (909) 627-2578, FAX (909) 363-7331  
ProtektivePak.com



DRAWING NUMBER  
**IPH-37198**

DATE  
**Nov. 2007**