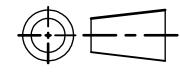
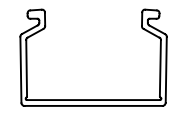


SW2010

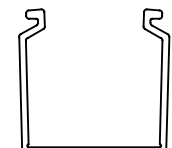


Revision level		Revision Record	Changed	Date	Approved	Date
Drawing	Part					
07	-	SEE ECN# 100016	MHT	01/06/2012	MHT	02/01/2012

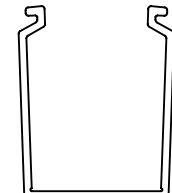
SCALE 1:2



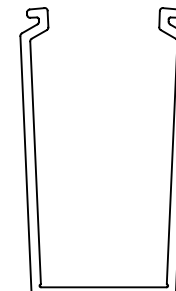
1.5X1



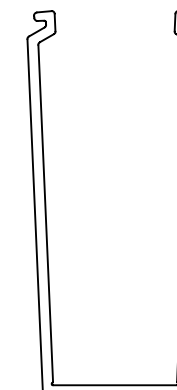
1.5X1.5



1.5X2

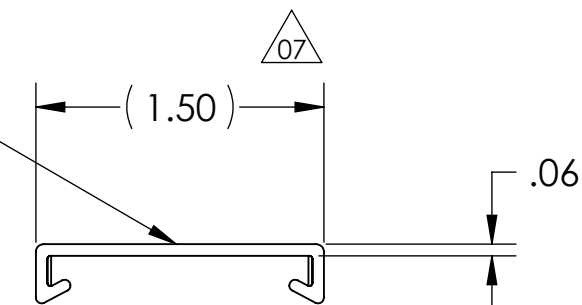


1.5X3



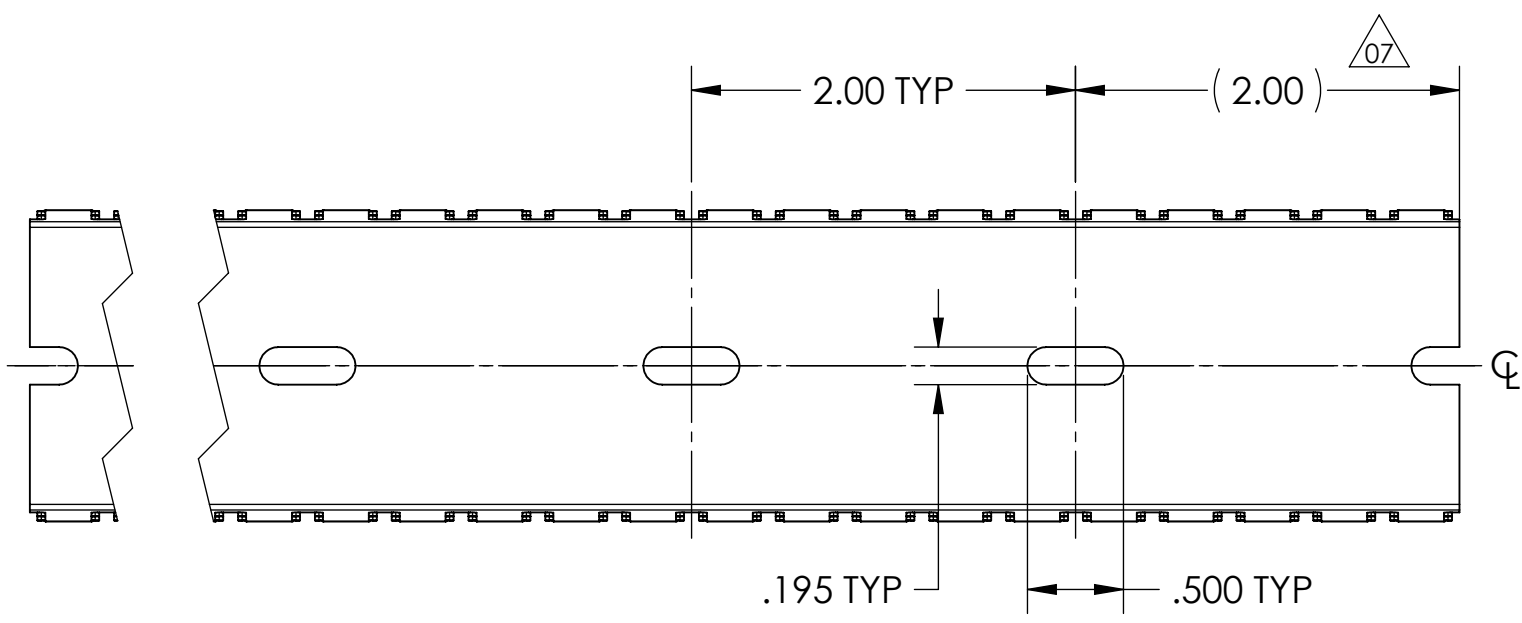
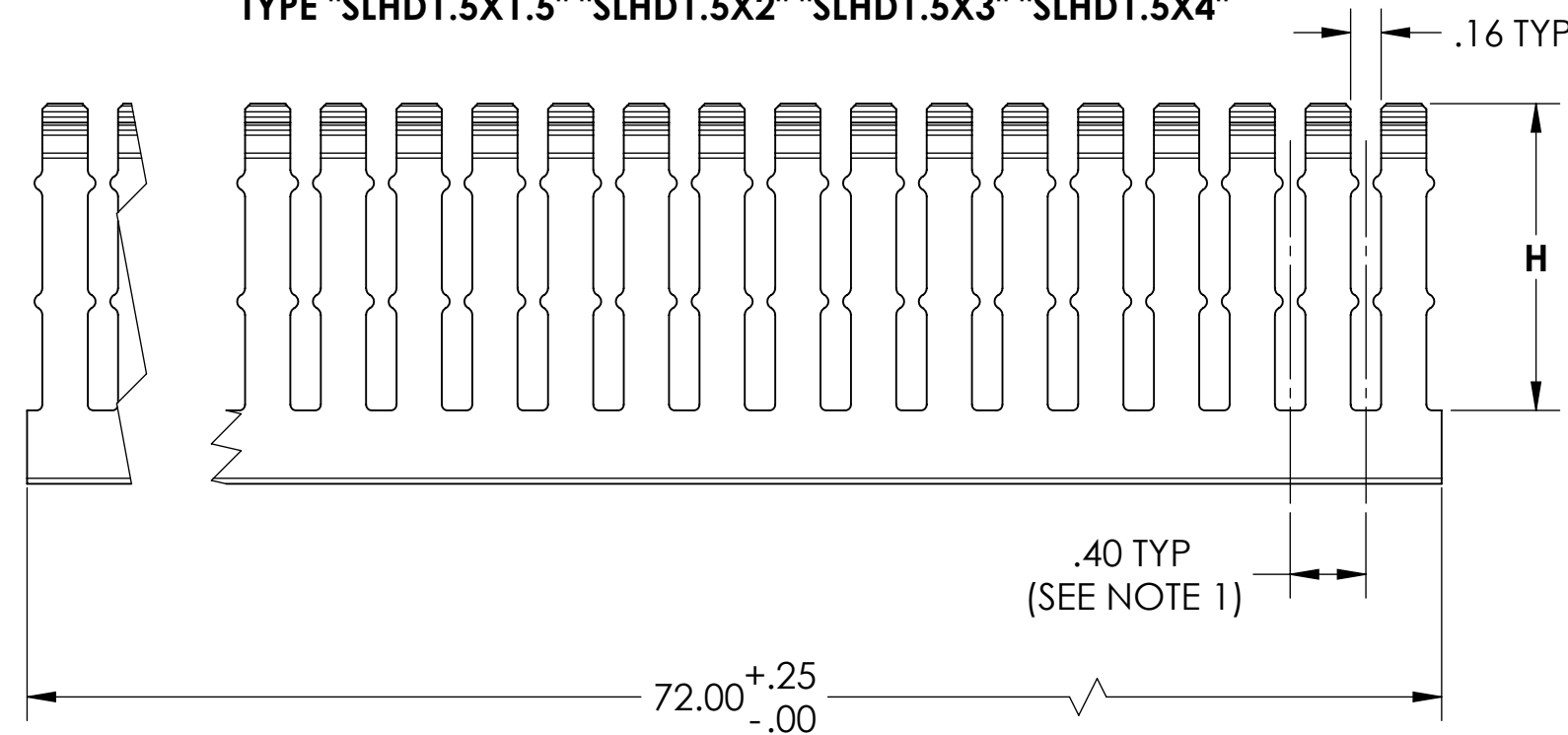
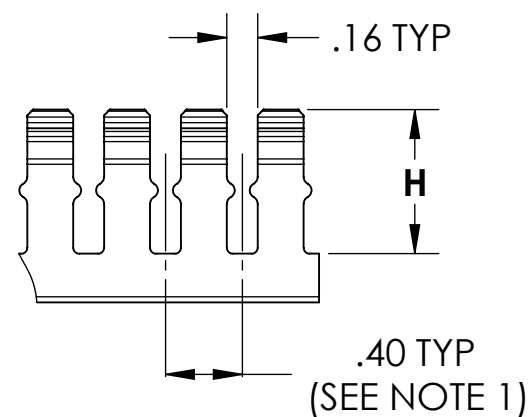
1.5X4

COVER WITH REMOVABLE PROTECTIVE FILM

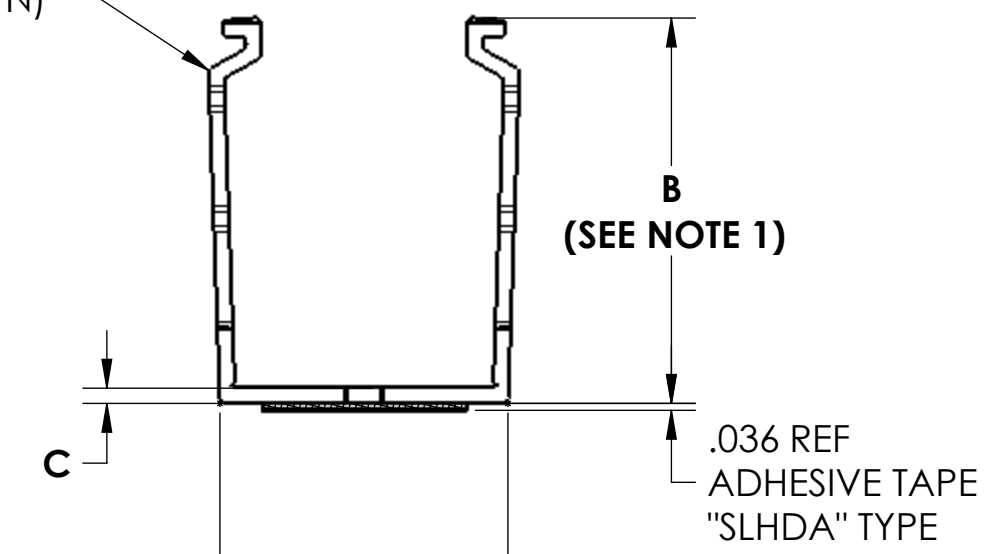


SLOTTED WALL DUCT
TYPE "SLHD1.5X1.5" "SLHD1.5X2" "SLHD1.5X3" "SLHD1.5X4"

SLOTTED WALL DUCT
TYPE "SLHD1.5X1"



DUCT (1.5X2 SHOWN)



TYPE NUMBER	DESCRIPTION	MOUNTING METHOD	B (SEE NOTE 1)	C	G	H
TC1.5	COVER	-	-	-	-	-
SLHD1.5X1	HD SLOTTED DUCT	SCREW	1.004 +.020/-0.015	.060 ±.005	1.500 +/- .025	.750 ±.010
SLHD1.5X1.5	"	"	1.506 +.025/-0.020	.070 +.008/-0.005	1.500 +/- .025	1.190 ±.015
SLHD1.5X2	"	"	2.008 +.025/-0.020	.080 ±.005	1.500 +/- .025	1.620 ±.015
SLHD1.5X3	"	"	3.009 +.035/-0.020	.100 +.007/-0.011	1.500 +.029/-0.037	2.600 ±.015
SLHD1.5X4	"	"	4.008 +.045/-0.020	.110 +.008/-0.015	1.500 +/- .031	3.600 ±.015
SLHDA1.5X1	HD SLOTTED DUCT W/ADHES.	ADHESIVE TAPE	1.004 +.020/-0.015	.060 ±.005	1.500 +/- .025	.750 ±.010
SLHDA1.5X1.5	"	"	1.506 +.025/-0.020	.070 +.008/-0.005	1.500 +/- .025	1.190 ±.015
SLHDA1.5X2	"	"	2.008 +.025/-0.020	.080 ±.005	1.500 +/- .025	1.620 ±.015
SLHDA1.5X3	"	"	3.009 +.035/-0.020	.100 +.007/-0.011	1.500 +.029/-0.037	2.600 ±.015
SLHDA1.5X4	"	"	4.008 +.045/-0.020	.110 +.008/-0.015	1.500 +/- .031	3.600 ±.015

50% WIRE FILL CAPACITY

DUCT SIZE (WxH)	DUCT AREA (Sq. In.)	WIRE O.D.																		
		12AWG					14AWG				16AWG			18AWG			22AWG			
		TWISTED PAIR 24 AWG UNSHIELDED			TWISTED PAIR 24 AWG UNSHIELDED			TWISTED PAIR 24 AWG UNSHIELDED			TWISTED PAIR 24 AWG UNSHIELDED			TWISTED PAIR 24 AWG UNSHIELDED						
		.158	.165	.139	.125	.113	.065	.217	.240	.354										
1.5X1	1.205	31	28	40	49	60	182	16	13	6										
1.5X1.5	1.850	47	43	61	75	92	279	25	20	9										
1.5X2	2.475	63	58	82	101	123	373	33	27	13										
1.5X3	3.669	94	86	121	150	183	553	50	41	19										
1.5X4	4.881	125	114	161	199	243	736	66	54	25										

Notes
1) BOTH SIDES ALIKE WITHIN .015



Material
PVC AVAILABLE IN WHITE, GRAY, BLACK, OR BLUE. CONSULT FACTORY FOR OTHER COLORS. RoHS COMPLIANT

Units inches
Dimension without tolerances details to:
.xxxx = ±.0005
.xxx = ±.005
.xx = ±.01
.x = ±.03
None = ±.06
∠ = ±0.5°

The copyright of this drawing is reserved by HellermannTyton. It is issued on condition that it is not reproduced, copied, or disclosed to a third party, either wholly or in part, without the consent of HellermannTyton.

Drawn: KAC, 06/17/2009
Approved: [Signature]
Article/Type-No: SEE CHART
Title: 1.5" WIDE SLHD, SLHDA DUCT WITH COVER
Drawing-No: DT07-021-153CST
Pre-Production: Phase
Scale: 1:1
Project Number: PRP07-021
Format: C
Sheet: 1/1

HellermannTyton
North America
Email: corp@htamericas.com
Web: www.hellermann.tyton.com