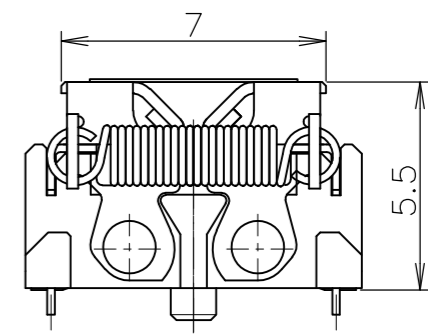
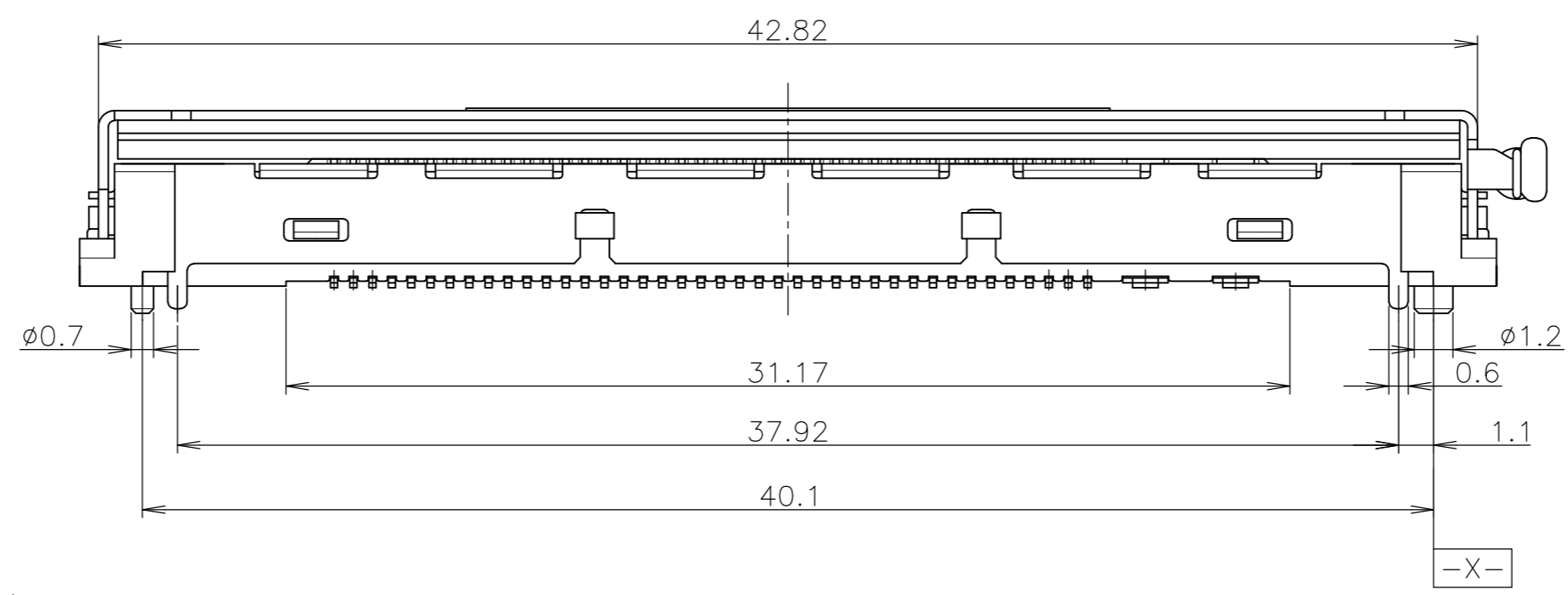
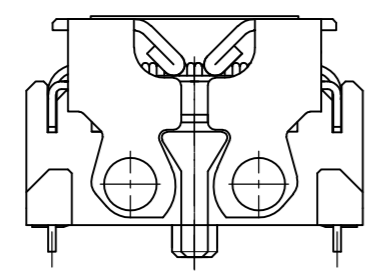
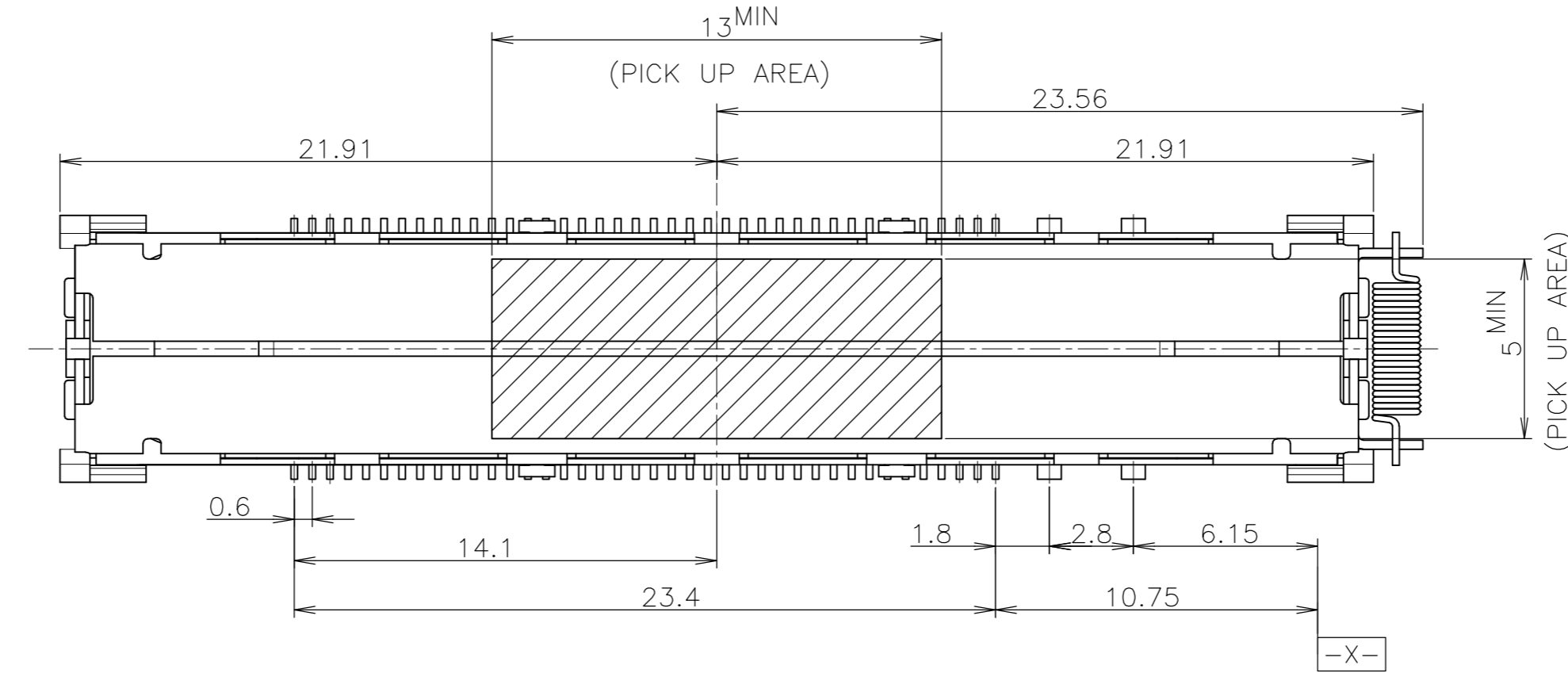
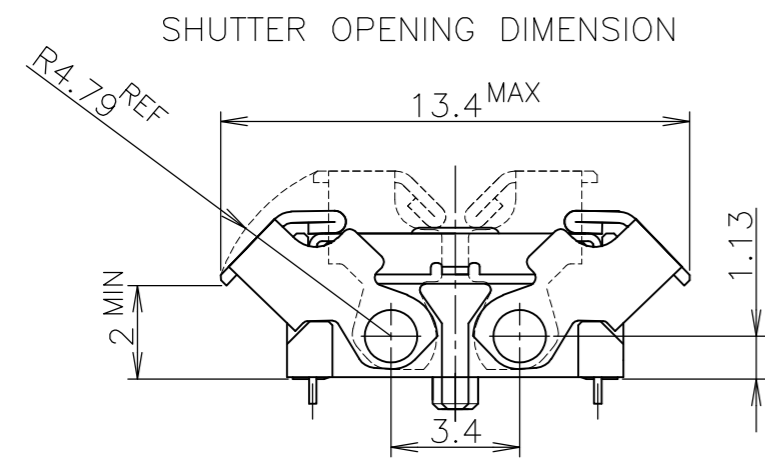


THIS DRAWING IS UNPUBLISHED. RELEASED FOR PUBLICATION OCT., 2002.
 © COPYRIGHT 2002 BY TYCO ELECTRONICS CORPORATION. ALL RIGHTS RESERVED.

LOC	DIST	REVISONS		
J		変更	変更	変更
P	LTR	DESCRIPTION	DATE	DWN
C		REVISED	15OCT07	T.T
				APVD
				T.F

-1 & -3 ; AS SHOWN



- △ MATERIAL
 - HOUSING : THERMOPLASTIC, UL94V-0, BLACK
 - SIGNAL CONTACT: COPPER ALLOY
 - POWER CONTACT : COPPER ALLOY
 - GROUND PLATE : COPPER ALLOY
 - SHUTTER COVER, SPRING : STAINLESS STEEL
- △ FINISH
 - SIGNAL CONTACT & POWER CONTACT:
 - Au PL. ON CONTACT AREA
 - TIN PL. ON SOLDER AREA
 - Ni UNDER PL. ALL OVER
 - GROUND PLATE:
 - 6674154-1 TIN PL. (REFLOW) / Ni UNDER PL.
 - 6674154-3 SELECTIVE TIN PL. (REFLOW) / Ni UNDER PL.
 - SHUTTER COVER: BLACK Ni PL.

- △ 材質
 - ハウジング : 熱可塑性樹脂 UL94V-0, 黒
 - シグナルコンタクト: 銅合金
 - パワーコンタクト : 銅合金
 - グラウンドプレート : 銅合金
 - シャッターカバー、スプリング : ステンレス鋼
- △ 仕上げ
 - シグナルコンタクト & パワーコンタクト:
 - ニッケル下地接点部金めっき、 はんだ付け部すずめっき
 - グラウンドプレート:
 - 6674154-1 すずめっき (リフロー) / ニッケル下地めっき
 - 6674154-3 部分すずめっき (リフロー) / ニッケル下地めっき
 - シャッターカバー: 黒色ニッケルめっき

- 3 適用基板厚 : 1.2±0.1mm
- 4 かん合相手型番 : 6674147-1
- 5 トレイ 材質 ; PS 色 ; NATURAL
- 6 トレイの寸法とコネクタの方向は本図を参照のこと
- 7 一般公差 : ±0.3 ±3'
- 8 数量 : 50EA/TRAY

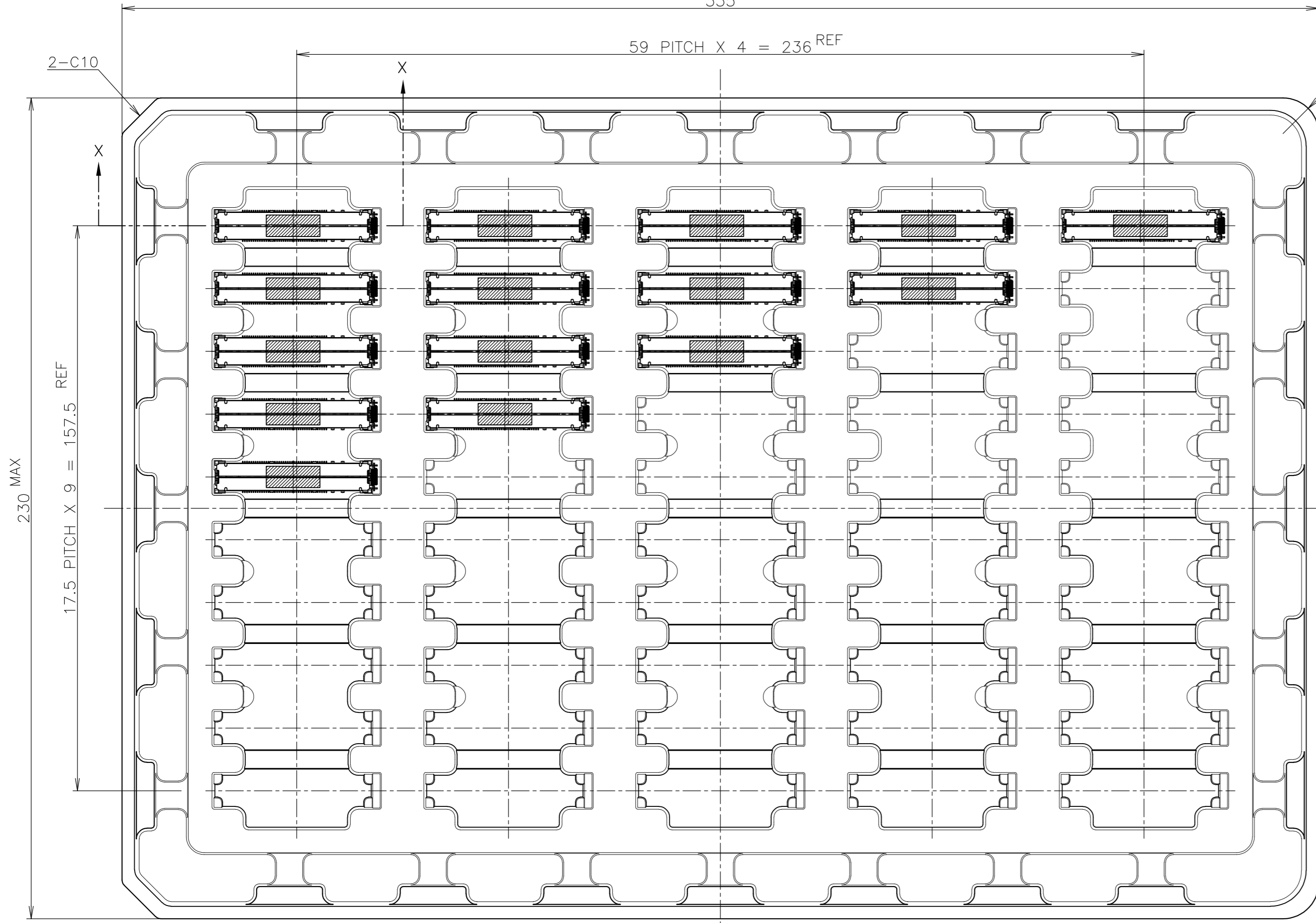
BLACK	SELECTIVE TIN-PLATED (REFLOW)	6674154-3
BLACK	TIN-PLATED (REFLOW)	6674154-1
SHUTTER COLOR	GROUND PLATE FINISH	PARTS NUMBER

THIS DRAWING IS A CONTROLLED DOCUMENT.		DWN	30AUG04	Tyco Electronics Corporation Kawasaki, Japan											
DIMENSIONS: 単位: 耗 MM		CHK	30AUG04												
TOLERANCES UNLESS OTHERWISE SPECIFIED: 一般公差		APVD	09OCT04												
<table border="1"> <tr><td>0 PLC</td><td>±</td></tr> <tr><td>1 PLC</td><td>±</td></tr> <tr><td>2 PLC</td><td>±</td></tr> <tr><td>3 PLC</td><td>±</td></tr> <tr><td>4 PLC</td><td>±</td></tr> <tr><td>ANGLES</td><td>±</td></tr> </table>		0 PLC	±		1 PLC	±	2 PLC	±	3 PLC	±	4 PLC	±	ANGLES	±	NAME
0 PLC	±														
1 PLC	±														
2 PLC	±														
3 PLC	±														
4 PLC	±														
ANGLES	±														
MATERIAL 材料	FINISH 仕上	PRODUCT SPEC	108-78253												
		APPLICATION SPEC	取付適用規格												
		SIZE	A2												
		WEIGHT	3.0g												
		CAGE CODE	00779												
		DRAWING NO	C=6674154												
		CUSTOMER DRAWING	SCALE 5:1												
			SHEET 1 OF 3												
			REV C												

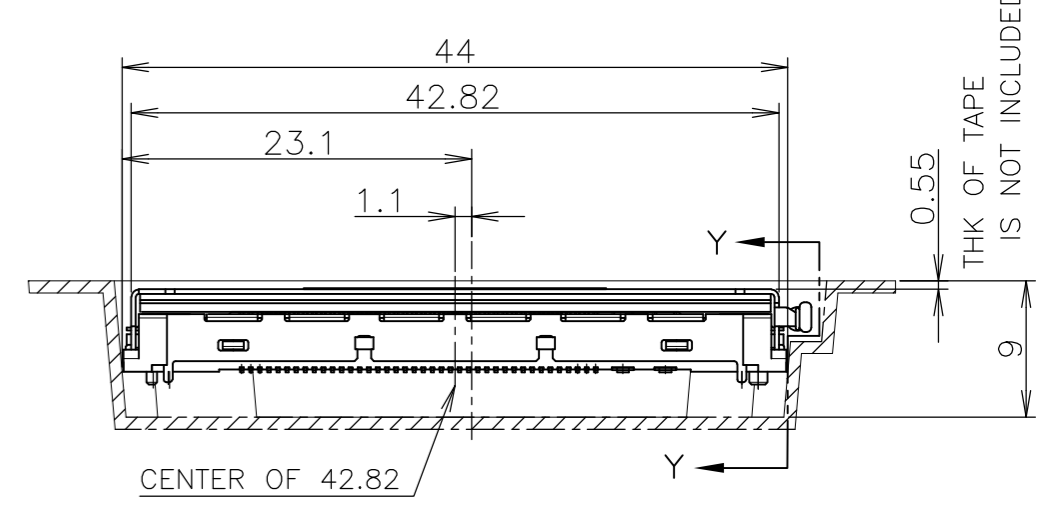
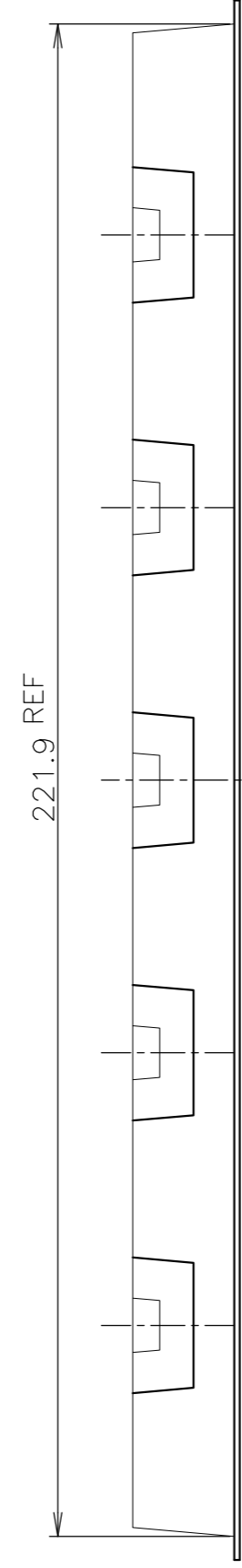
THIS DRAWING IS UNPUBLISHED. RELEASED FOR PUBLICATION OCT., 2002.
 © COPYRIGHT 2002 BY TYCO ELECTRONICS CORPORATION. ALL RIGHTS RESERVED.

LOC		DIST		REVISIONS					
J				P	LTR	DESCRIPTION	DATE	DWN	APVD
				-	-	SEE SHEET 1	-	-	-

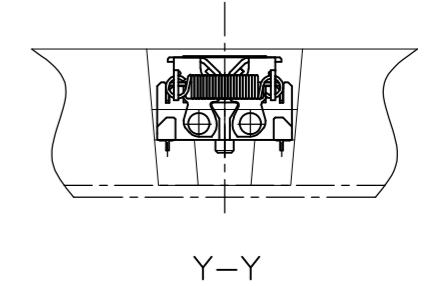
SEMI HARD TRAY ASSY



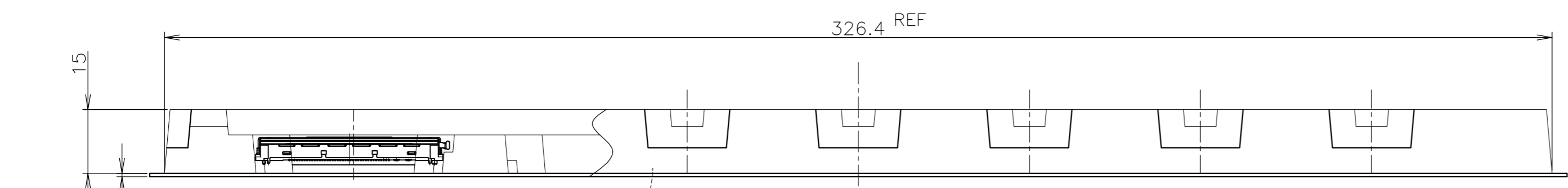
3-R10



DETAIL C
SCALE 2:1



Y-Y



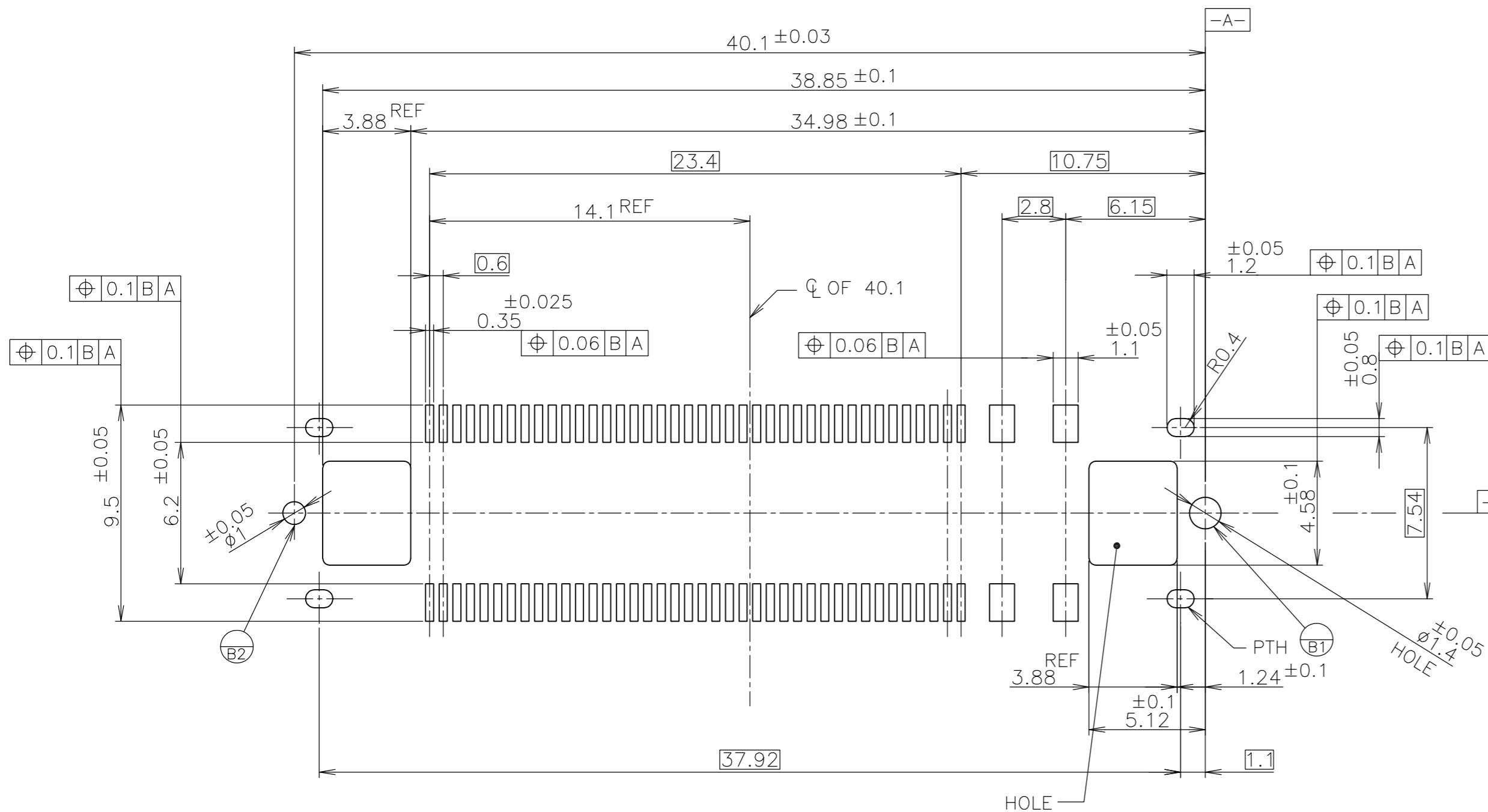
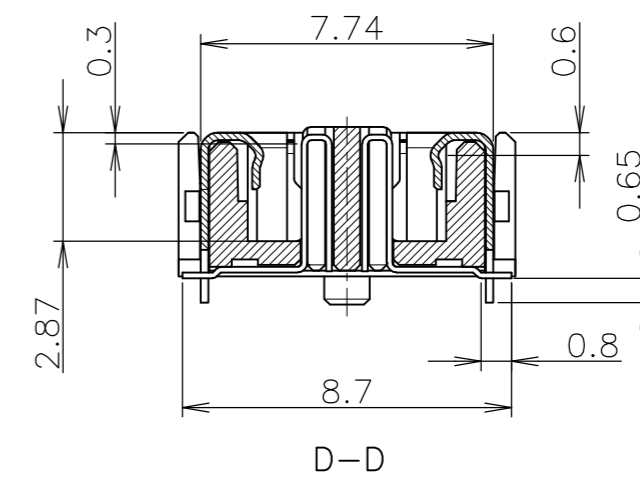
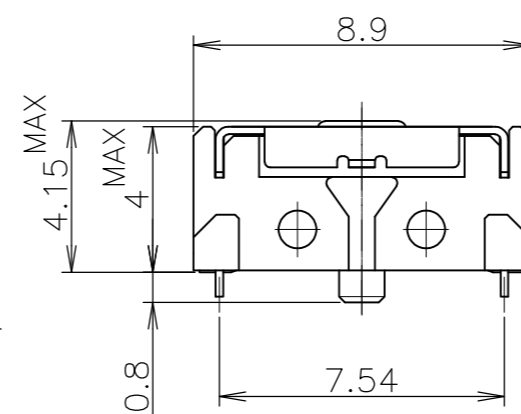
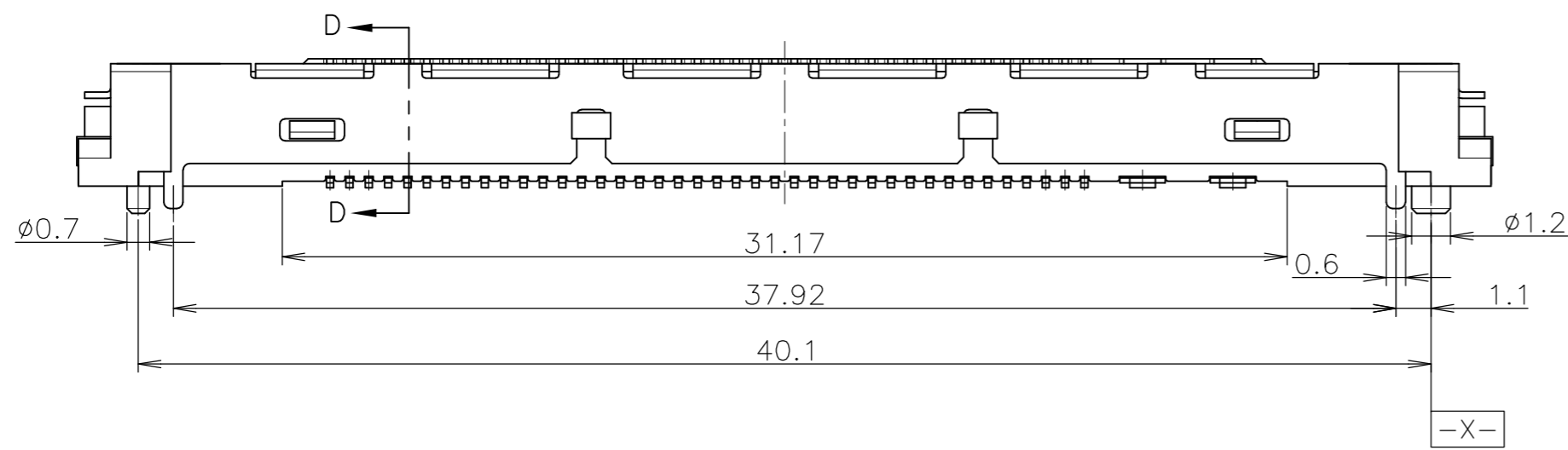
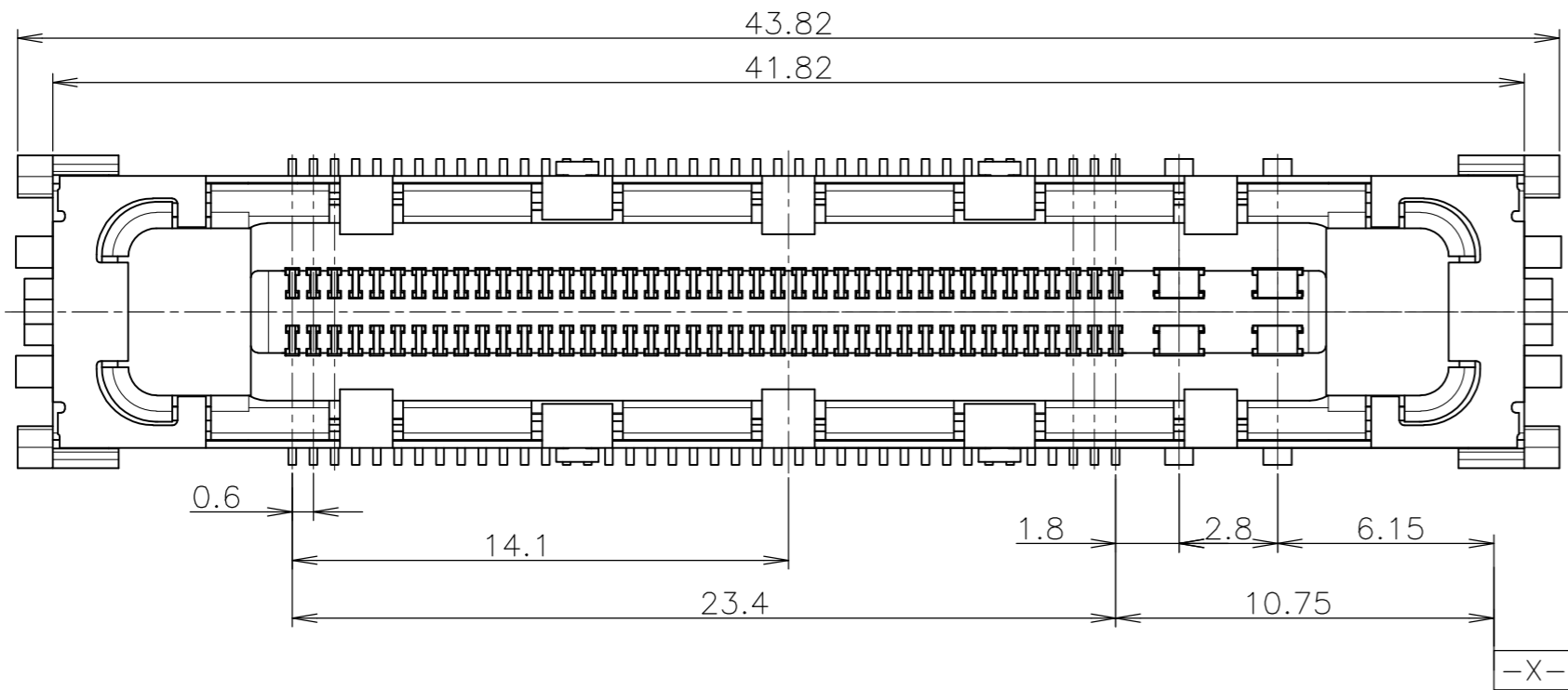
X-X

DETAIL C

THIS DRAWING IS A CONTROLLED DOCUMENT.		DWN	Tyco Electronics Corporation	
DIMENSIONS: 單位: 毫米		CHK	Kawasaki, Japan	
TOLERANCES UNLESS OTHERWISE SPECIFIED 一般公差		APVD	NAME 名称	
0 PLC ±	1 PLC ±	PRODUCT SPEC	0.6 DOCKING CONNECTOR W/SHUTTER	
2 PLC ±	3 PLC ±	APPLICATION SPEC	PLUG 80P + POWER 4P	
4 PLC ±	ANGLES ±	WEIGHT	SIZE	CAGE CODE
FINISH 仕上			A2	00779
		CUSTOMER DRAWING	DRAWING NO	RESTRICTED TO
			C=6674154	
		SCALE 1:1	SHEET 2 OF 3	REV C

THIS DRAWING IS UNPUBLISHED. RELEASED FOR PUBLICATION OCT., 2002.
 © COPYRIGHT 2002 BY TYCO ELECTRONICS CORPORATION. ALL RIGHTS RESERVED.

LOC		DIST		REVISIONS			
P	LTR	DATE	DWN	APVD	DESCRIPTION		
-	-	-	-	-	SEE SHEET 1		



REFERENTIAL P.C.BOARD LAYOUT

THIS DRAWING IS A CONTROLLED DOCUMENT.		DWN	Tyco Electronics Corporation Kawasaki, Japan	
DIMENSIONS: 單位: 耗 MM		CHK	NAME 名稱 0.6 DOCKING CONNECTOR W/SHUTTER	
TOLERANCES UNLESS OTHERWISE SPECIFIED 一般公差		APVD	PRODUCT SPEC 製品規格	
0 PLC ± 1 PLC ± 2 PLC ± 3 PLC ± 4 PLC ± ANGLES ±		APPLICATION SPEC 取付適用規格	APPLICATION SPEC 取付適用規格	
MATERIAL 材料	FINISH 仕上	WEIGHT	SIZE A2	CAGE CODE 00779
DRAWING NO 番号 C=6674154		CUSTOMER DRAWING	SCALE 尺度 5:1	SHEET 3 OF 3
RESTRICTED TO		REV C		