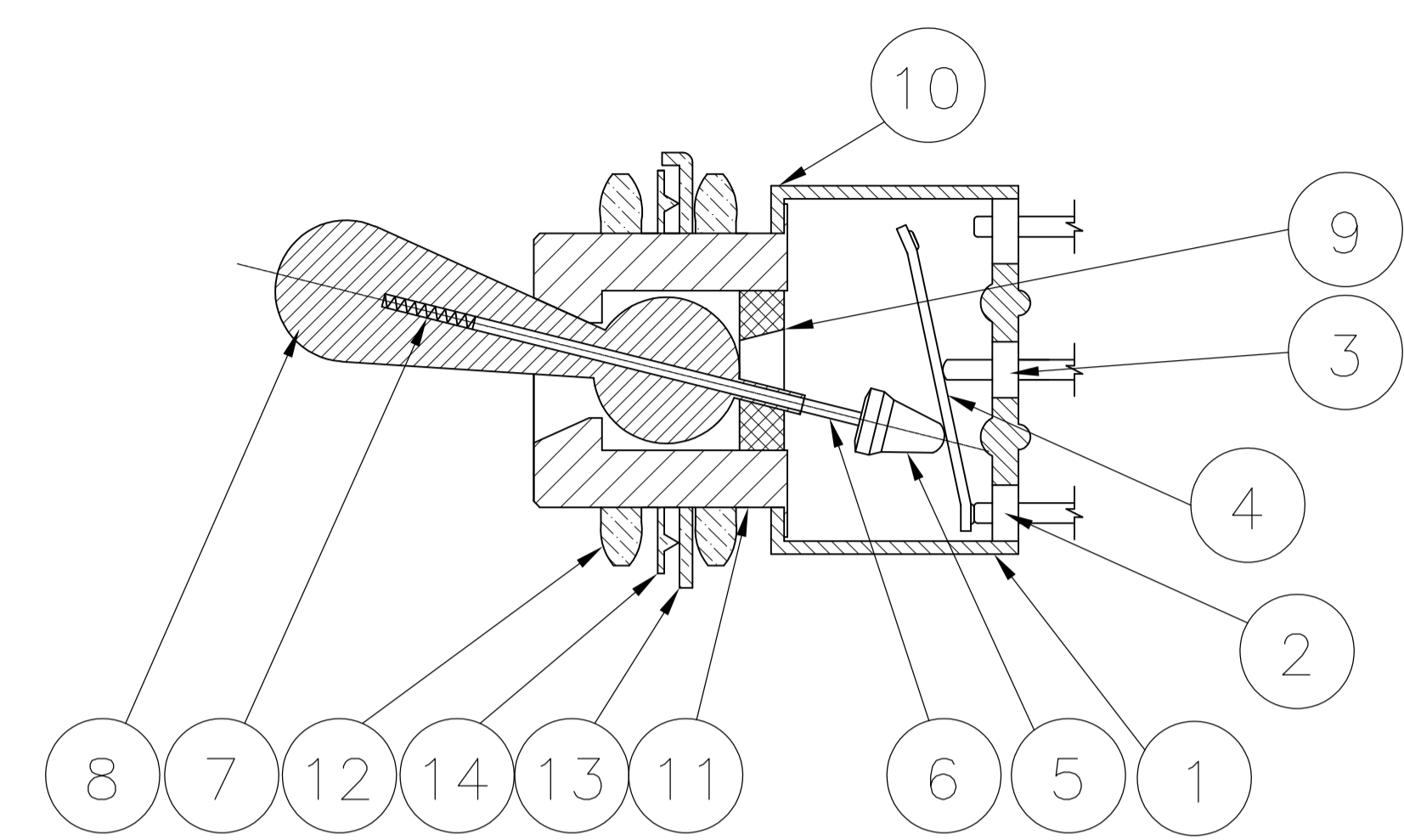
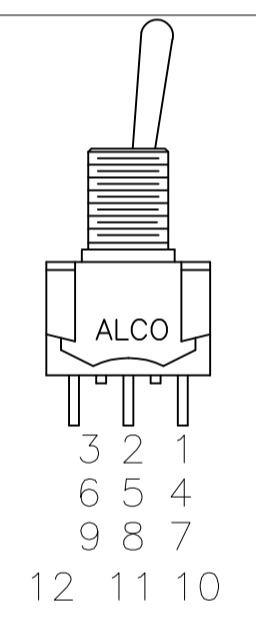
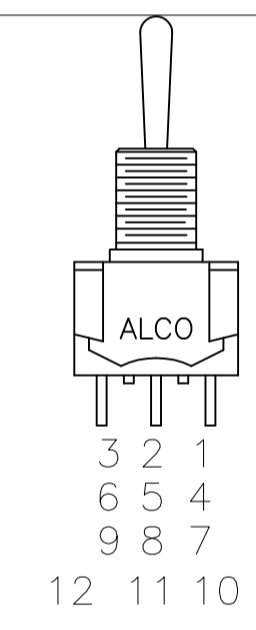
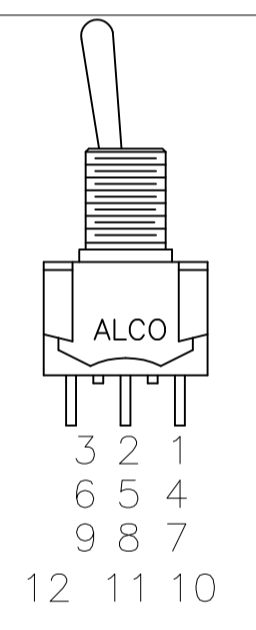


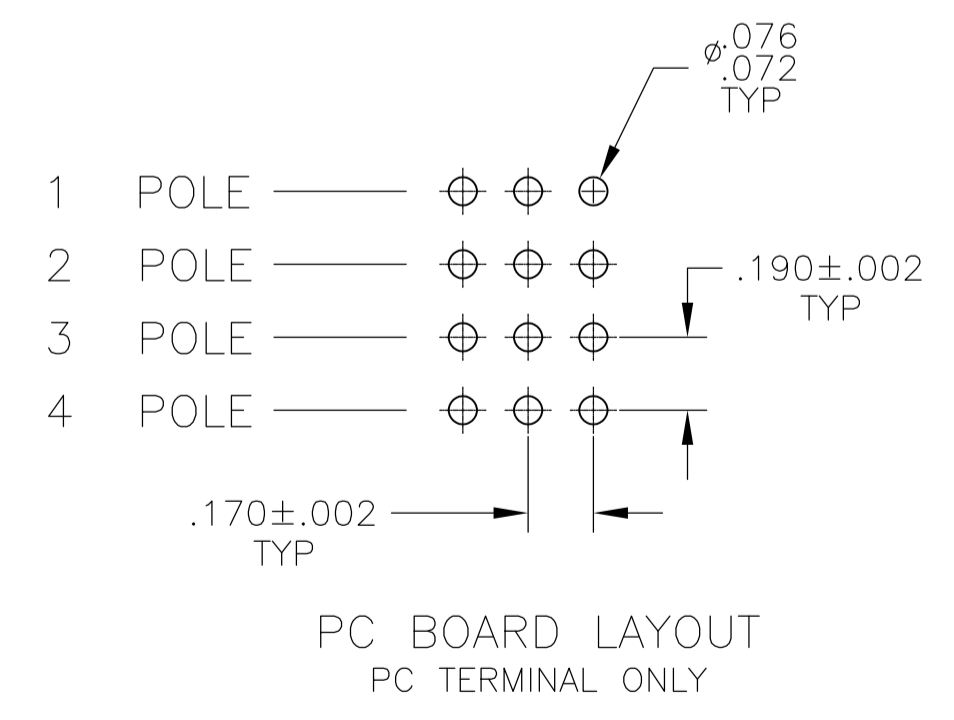
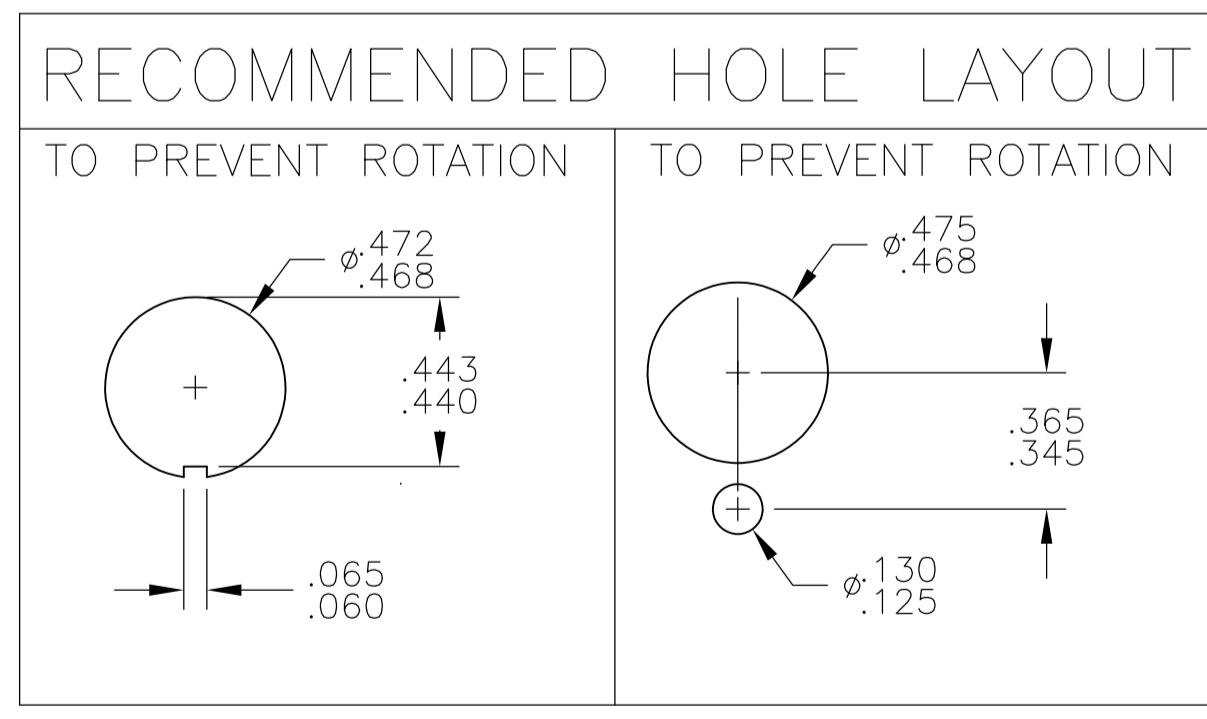
Materials			
No.	Component name	Base material	Finish
1	Housing	High Temp., UL 94V-0, green	
2	End terminal	silver clad copper alloy	5 microinches min. gold
3	Center terminal	copper alloy	5 microinches min. gold
4	Rocker contact	silver clad copper alloy	5 microinches min. gold
5	Actuator	Phenol resin, UL94 HB, black	
6	Plunger	stainless steel	
7	Spring	music wire	
8	Toggle	brass	chrome or Nickel
9	Retainer	Polyamide, UL94 HB, black	
10	Frame	cold rolled steel	zinc or Nickel
11	Bushing	brass	100 microinches min. nickel over 10 microinches min. copper
12	Mounting nuts (2)	brass	200 microinches min. bright nickel
13	Locating ring	cold rolled steel	zinc or Nickel
14	Internal tooth lockwasher	steel	zinc or Nickel



NOT TO SCALE

Specifications—see note 3				
Current rating UL & CSA	6A @ 125 VAC (resistive)			
	3A @ 250 VAC (resistive)			
	4A @ 28 VDC (resistive)			
Termination resistance	20 milliohms max @ 2-4 VDC, 1A			
Insulation resistance	1,000 megohms min.			
Withstanding voltage	1,000 VAC			
Travel	24 +/-6 degrees			
Actuation force	.05 to 1.5 kgf			
Operating temperature	-20C to +85C			
Storage temperature	-40C to +85C			
Contact timing	break before make			
Terminal seal	epoxy or insert molded			
Durability	Parameter	2 Position	3 Position	Momentary
	mechanical (no load)	150,000	100,000	80,000
	250 VAC (3A resistive)	80,000	60,000	60,000
	125 VAC (6A resistive)	80,000	60,000	60,000
	28 VDC (4A resistive)	60,000	50,000	40,000

Part Number	Alco Model	Poles	Throws	Function	Terminal	A				Comments
3-1437559-2	MTG406P	4	2	ON OFF ON	Wire lug	.453	2-3, 5-6, 8-9, 11-12	Off	2-1, 5-4, 8-7, 11-10	
3-1437559-3	MTG426N	4	2	ON ON	Wire lug	.685	2-3, 5-6, 8-9, 11-12	---	2-1, 5-4, 8-7, 11-10	
3-1437559-1	MTG406N	4	2	ON ON	Wire lug	.453	2-3, 5-6, 8-9, 11-12	---	2-1, 5-4, 8-7, 11-10	
2-1437559-9	MTG306E	3	2	ON OFF ON	Wire lug	.453	2-3, 5-6, 8-9	Off	2-1, 5-4, 8-7	
3-1437559-0	MTG326D	3	2	ON ON	Wire lug	.685	2-3, 5-6, 8-9	---	2-1, 5-4, 8-7	
2-1437559-8	MTG306D	3	2	ON ON	Wire lug	.453	2-3, 5-6, 8-9	---	2-1, 5-4, 8-7	
2-1437559-7	MTG226PA	1	3	ON ON ON	Wire lug	.685	5-6	5-3	5-1	note 6
2-1437559-6	MTG226P	2	2	ON OFF ON	Wire lug	.685	2-3, 5-6	Off	2-1, 5-4	
2-1437559-5	MTG226N	2	2	ON ON	Wire lug	.685	2-3, 5-6	---	2-1, 5-4	
2-1437559-4	MTG206T	2	2	ON OFF(ON)	Wire lug	.453	2-3, 5-6	Off	2-1, 5-4	
2-1437559-3	MTG206S	2	2	(ON) OFF (ON)	Wire lug	.453	2-3, 5-6	Off	2-1, 5-4	
2-1437559-2	MTG206R	2	2	ON (ON)	Wire lug	.453	2-3, 5-6	---	2-1, 5-4	
2-1437559-1	MTG206PA	1	3	ON ON ON	Wire lug	.453	5-6	5-3	5-1	note 6
2-1437559-0	MTG206P	2	2	ON OFF ON	Wire lug	.453	2-3, 5-6	Off	2-1, 5-4	
1-1437559-9	MTG206NPC	2	2	ON ON	PC	.453	2-3, 5-6	---	2-1, 5-4	
1-1437559-8	MTG206N	2	2	ON ON	Wire lug	.453	2-3, 5-6	---	2-1, 5-4	
1-1437559-0	MTG126G	1	2	(ON) OFF (ON)	Wire lug	.685	2-3	Off	2-1	
1-1437559-7	MTG126E	1	2	ON OFF ON	Wire lug	.685	2-3	Off	2-1	
1-1437559-6	MTG126D	1	2	ON ON	Wire lug	.685	2-3	---	2-1	
1-1437559-5	MTG106H	1	2	ON OFF(ON)	Wire lug	.453	2-3	Off	2-1	
1-1437559-4	MTG106G	1	2	(ON) OFF (ON)	Wire lug	.453	2-3	Off	2-1	
1-1437559-3	MTG106F	1	2	ON (ON)	Wire lug	.453	2-3	---	2-1	
1-1437559-2	MTG106E	1	2	ON OFF ON	Wire lug	.453	2-3	Off	2-1	
1-1437559-1	MTG106D	1	2	ON ON	Wire lug	.453	2-3	---	2-1	



- NOTES:
- TERMINAL NUMBERS ARE FOR REFERENCE ONLY AND DO NOT APPEAR ON THE SWITCHES.
 - EACH SWITCH SUPPLIED WITH THE FOLLOWING MOUNTING HARDWARE:
 - (2) 15/32-32 UNS-2B HEX NUTS
 - (1) INTERNAL TOOTH LOCKWASHER
 - (1) LOCATING RING

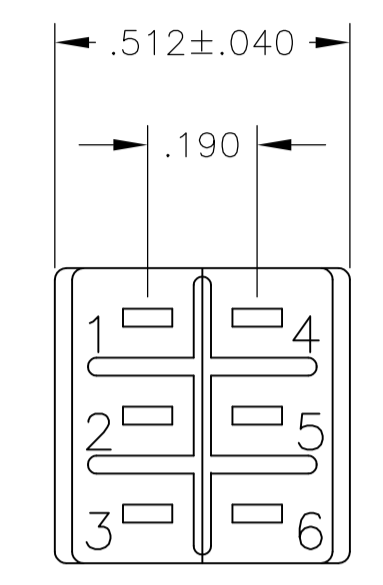
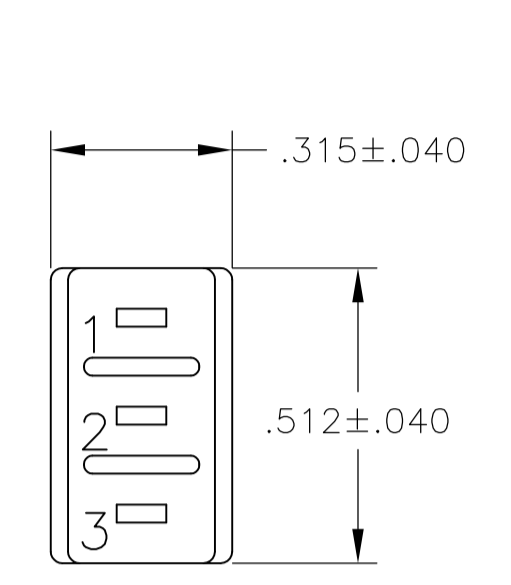
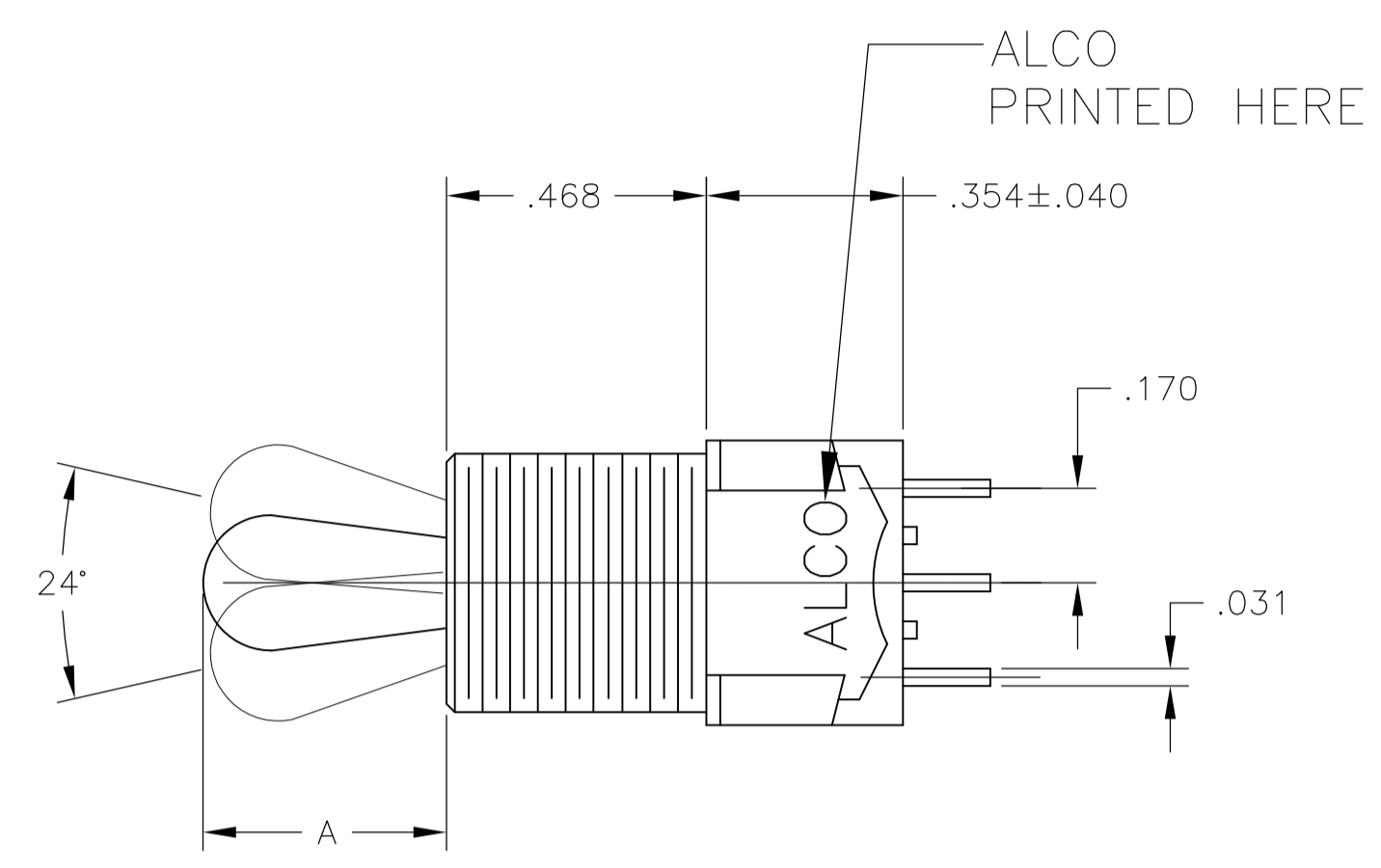
- WIRE LUG CONTACTS WILL ACCEPT 2 #20 AWG SOLID OR STRANDED WIRES.
- CUSTOMER INSTALLED EXTERNAL JUMPER BETWEEN TERMINALS 2 AND 4 REQUIRED FOR 1 POLE 3 THROW FUNCTION.

 OBSOLETE

THIS DRAWING IS A CONTROLLED DOCUMENT.

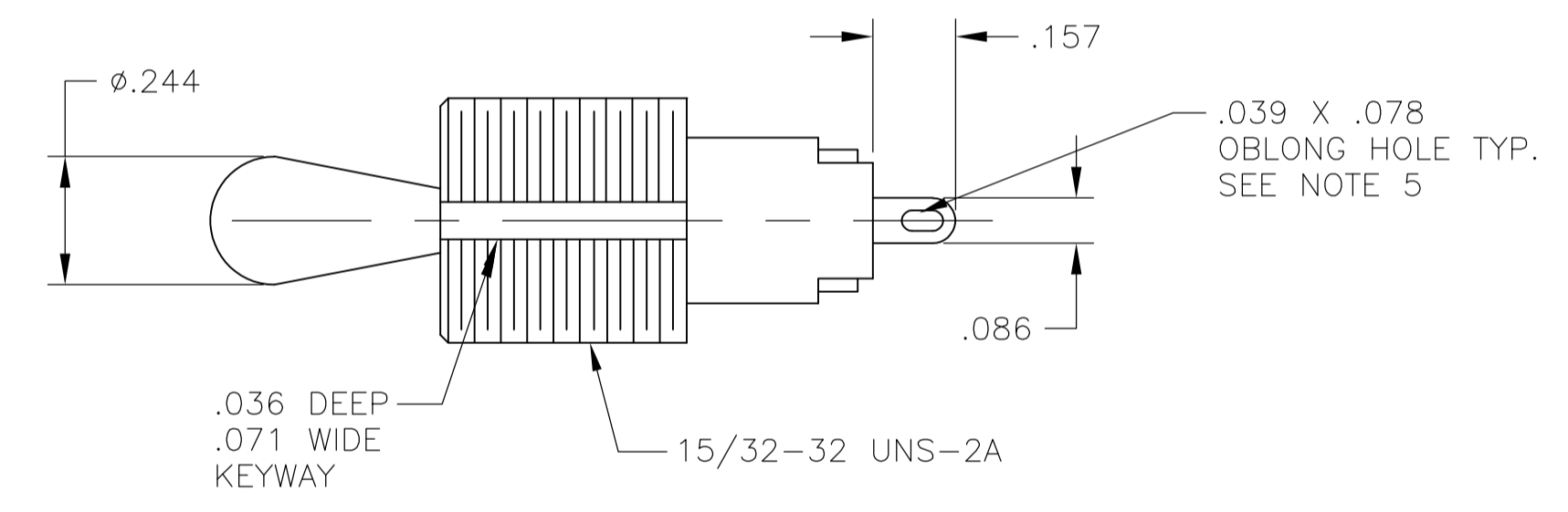
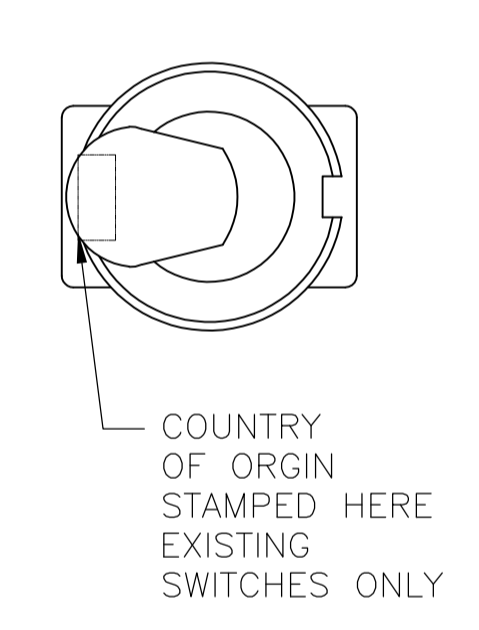
DIMENSIONS: INCHES	TOLERANCES UNLESS OTHERWISE SPECIFIED:	DIN M. BINNER 29DEC03	REV. M. ZITTO 29DEC03
0. PLC ± .005	1. PLC ± .005	APVD M. ZITTO 29DEC03	NAME
2. PLC ± .005	3. PLC ± .005	PRODUCT SPEC	TOGGLE SWITCH, MTG SERIES VERTICAL MOUNT
4. PLC ± .005	ANGLES ± .005	APPLICATION SPEC	
MATERIAL	FINISH	WEIGHT	SIZE CASE CODE DRAWING NO. RESTRICTED TO
			A1 00779 1-1437559-1
CUSTOMER DRAWING		SCALE 2:1	SHEET 1 OF 3 REV D4

STE TE Connectivity

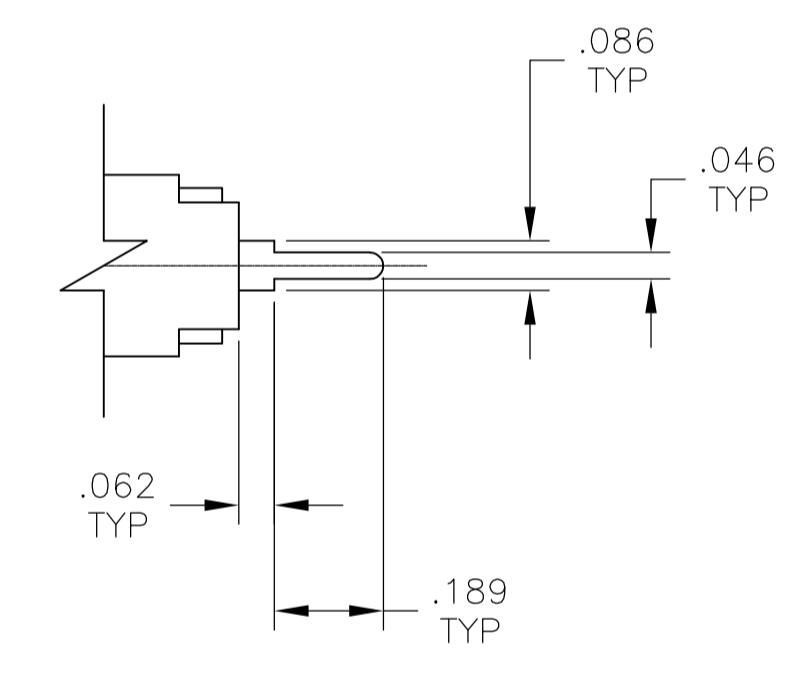


MTG-106

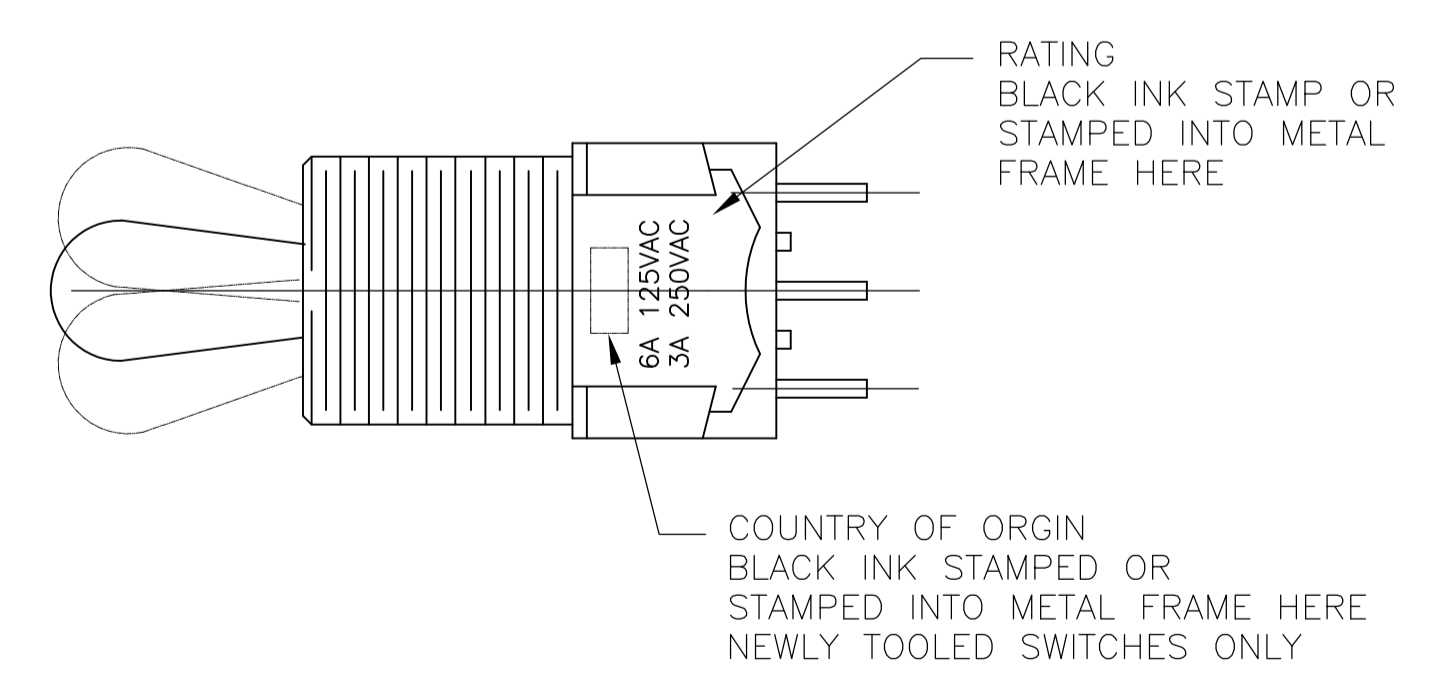
MTG-206



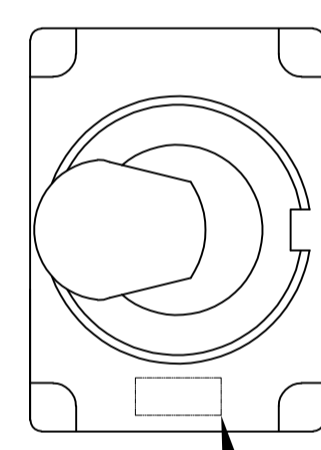
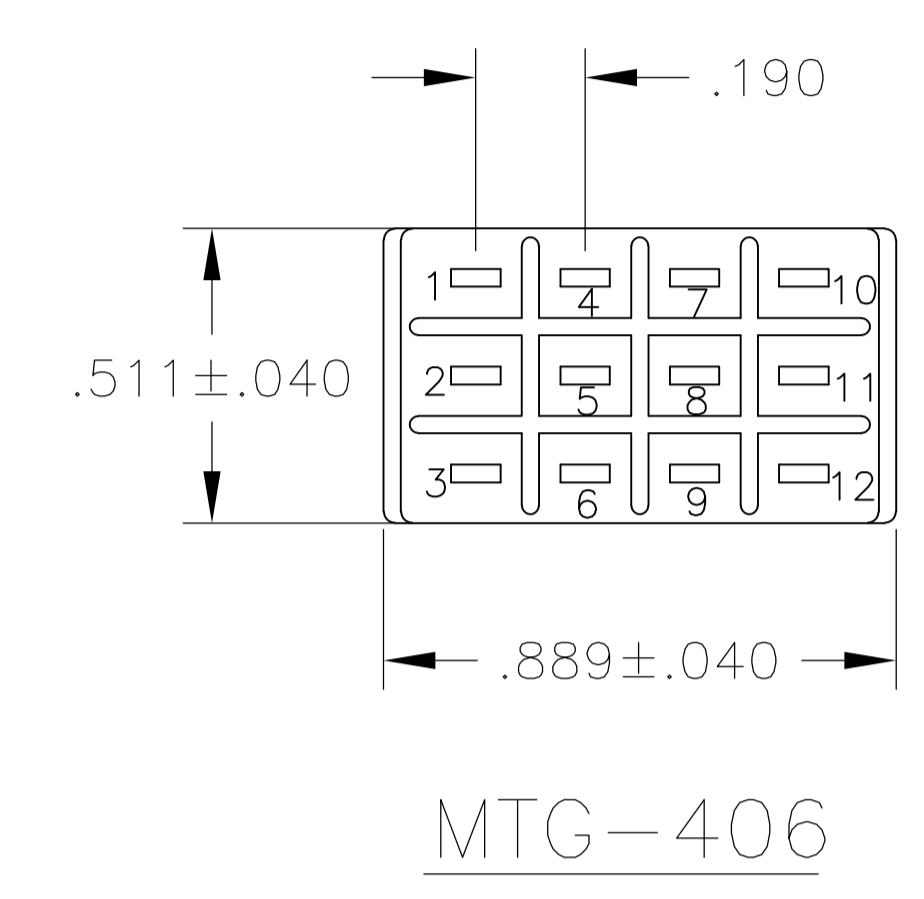
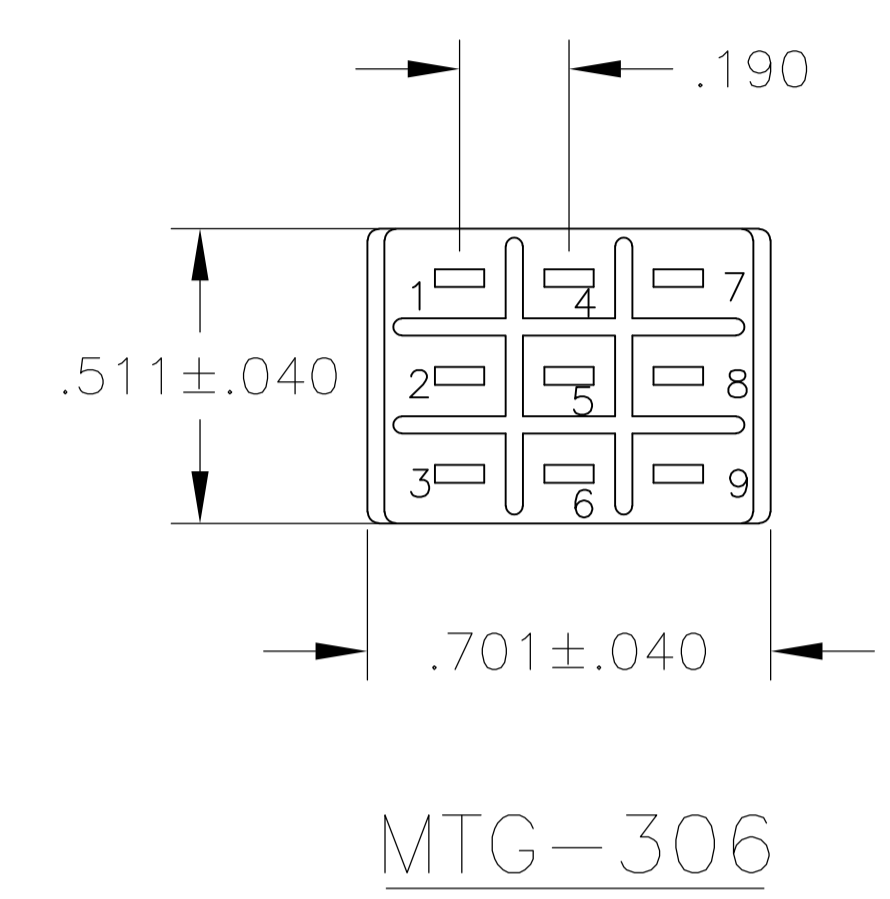
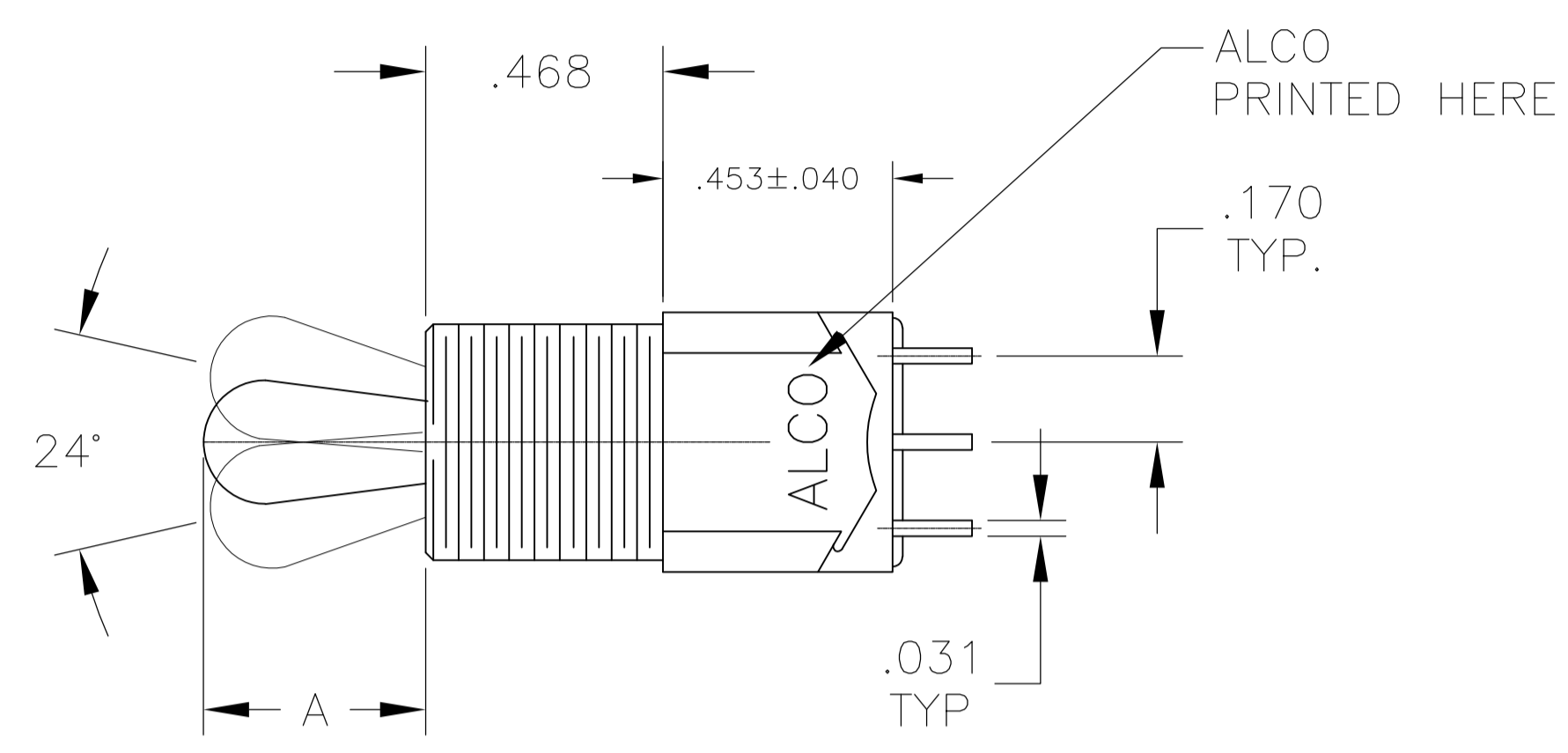
WIRE LUG TERMINAL



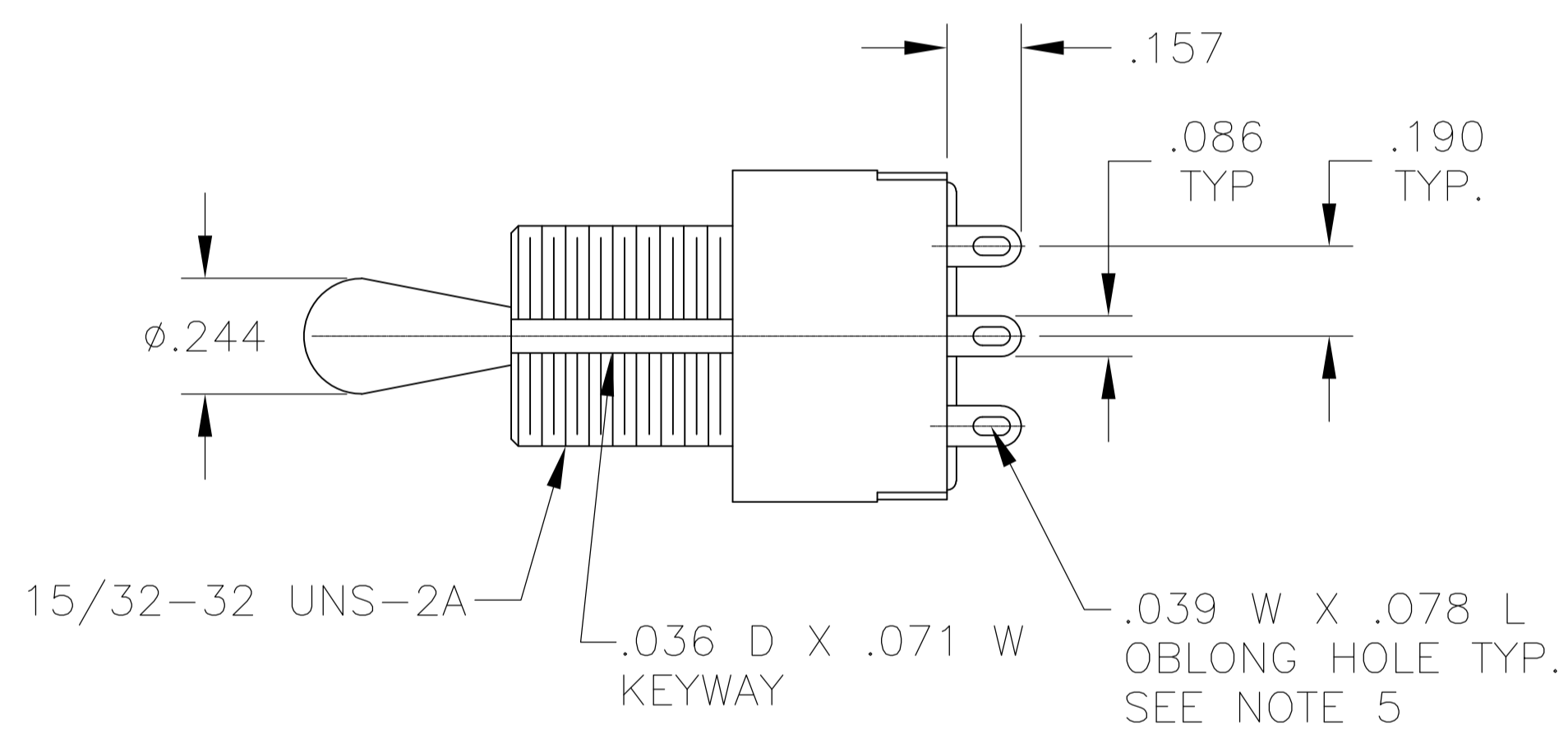
PC TERMINAL



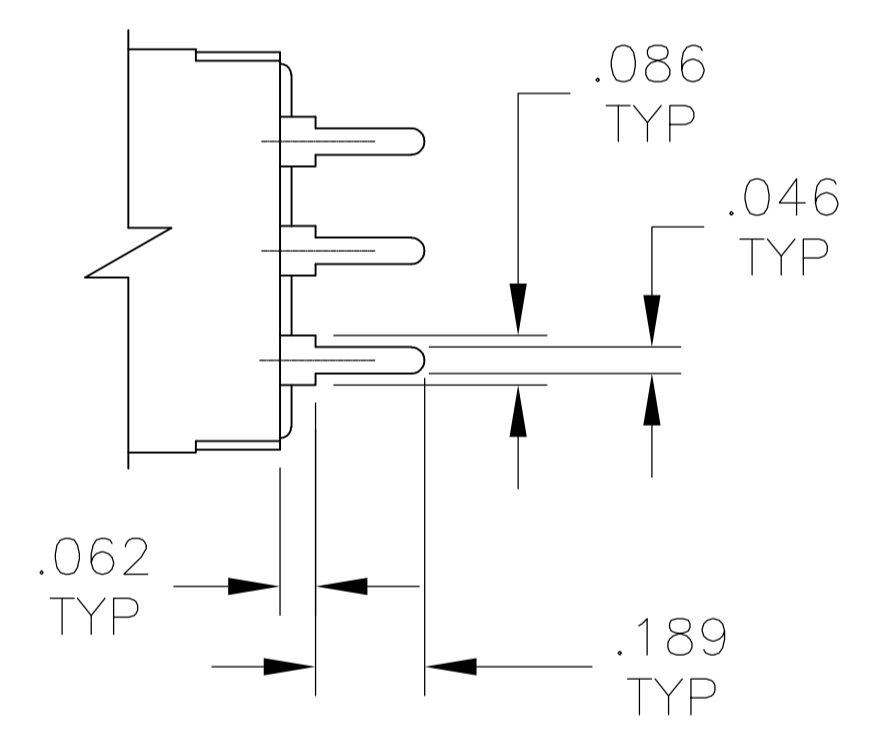
THIS DRAWING IS A CONTROLLED DOCUMENT.		DIN M. BINNER 29DEC03	TE Connectivity
DIMENSIONS: INCHES		CHK M. ZITTO 29DEC03	
TOLERANCES UNLESS OTHERWISE SPECIFIED:		APP'D M. ZITTO 29DEC03	NAME TOGGLE SWITCH, MTG SERIES VERTICAL MOUNT
0. PLC ± -	1. PLC ± -	PRODUCT SPEC	APPLICATION SPEC
2. PLC ± -	3. PLC ± .005	SIZE	CAGE CODE DRAWING NO
4. PLC ± -	ANGLES ± -	WEIGHT	RESTRICTED TO
MATERIAL	FINISH	A1 00779	SCALE 3:1 SHEET 2 OF 3 REV D4
CUSTOMER DRAWING		DRAWING NO 1-1437559-1	



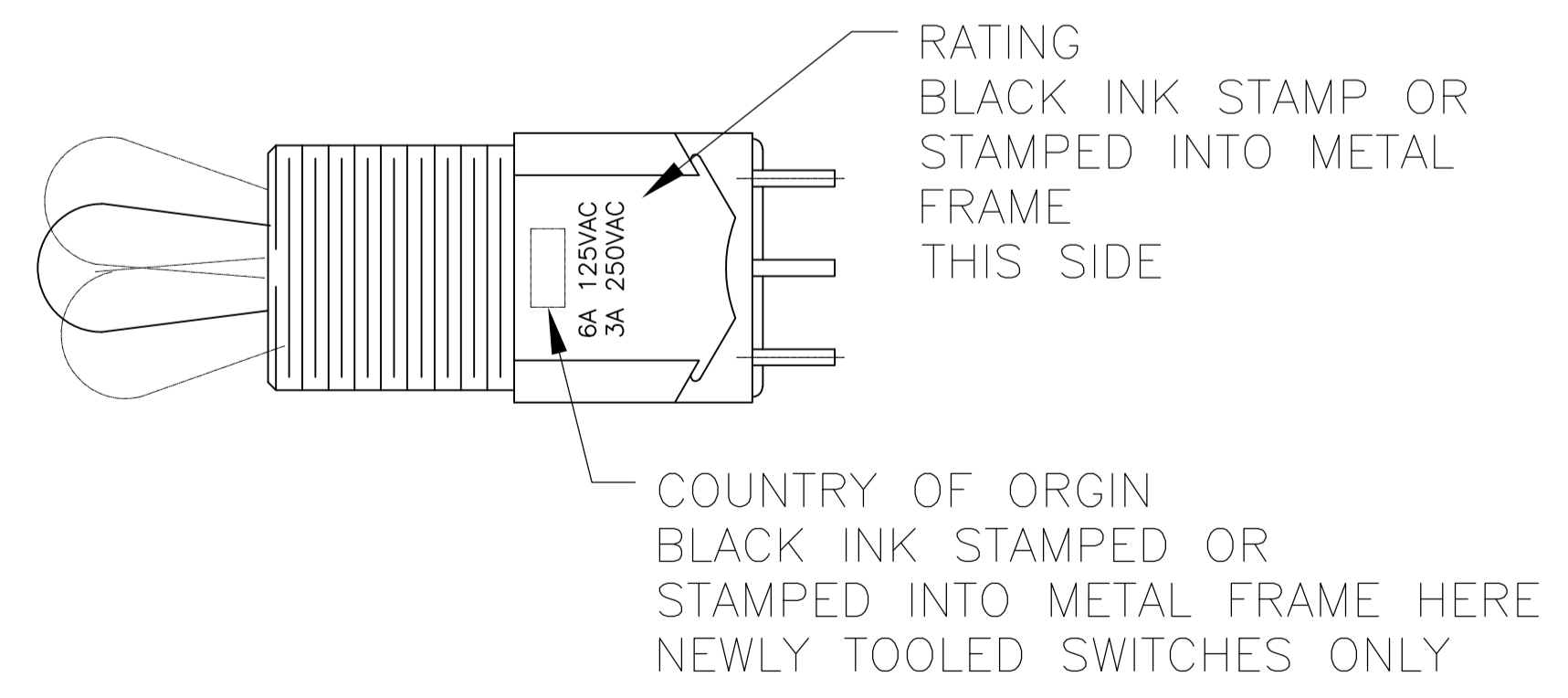
COUNTRY OF ORIGIN STAMPED HERE EXISTING SWITCHES ONLY



WIRE LUG TERMINAL



PC TERMINAL



THIS DRAWING IS A CONTROLLED DOCUMENT.		DIN M. BINNER 29DEC03	TE Connectivity
DIMENSIONS: INCHES		CHK M. ZITTO 29DEC03	
TOLERANCES UNLESS OTHERWISE SPECIFIED:		NAME M. ZITTO 29DEC03	TOGGLE SWITCH, MTG SERIES VERTICAL MOUNT
0. PLC ± -	1. PLC ± -	PRODUCT SPEC	
2. PLC ± -	3. PLC ± .005	APPLICATION SPEC	
4. PLC ± -	ANGLES ± -	SIZE	A1
MATERIAL	FINISH	WEIGHT	00779
		CUSTOMER DRAWING	1-1437559-1
		SCALE	3:1
		SHEET	3 OF 3
		REV	D4