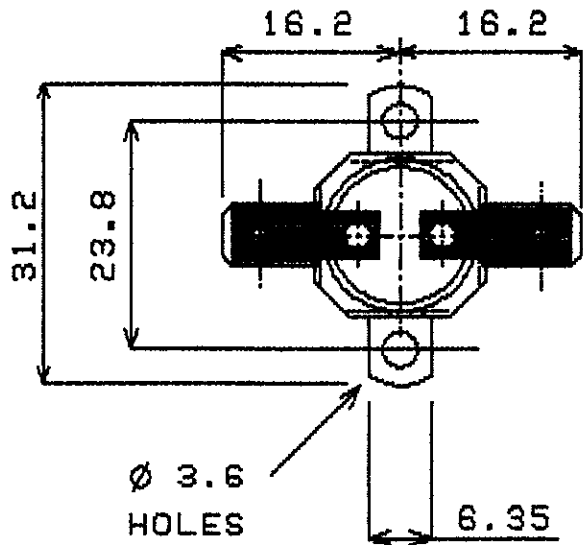


DO NOT SCALE ALL DIMENSIONS ARE FOR REFERENCE ONLY

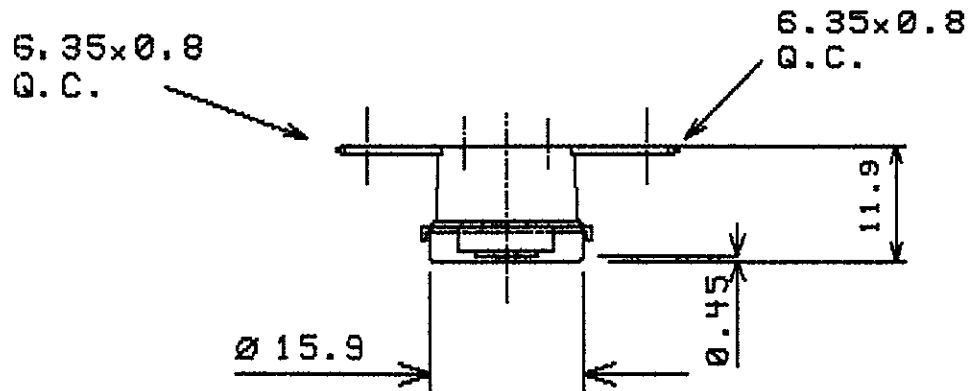
OPERATING CRITERIA



VOLTS: 240 AMPS: 10 HZ:

OPERATING TEMPS. DEG. C

OPEN: 60 ± 3  
CLOSE: 45 ± 5



NOTE: ORIENTATION OF BRACKET IS NOT FIXED

ISSUE	A	B							
MOD No	0052	0050							
MTH/YR	3/97	7/98							

CODING REQUIREMENTS  
COLOUR: LASER CODE  
L60C RP 9100 434XXX  
(XXX = DATE CODING)

CAP: 5200 MAT'L: ALUMINIUM  
BRK'T: B2036 MAT'L: STEEL  
PLATING: NICKEL  
TERMINAL: T146 T146  
MATERIAL: BRASS BRASS  
PLATING:

ELMWOOD DEVICE & UNIQUE PART No  
2455RP-9100-434

ELMWOOD DRG No. ISSUE  
965202 - B



ELMWOOD  
SENSORS LTD

DATE OF ISSUE STAMP

17 JUL 1998