

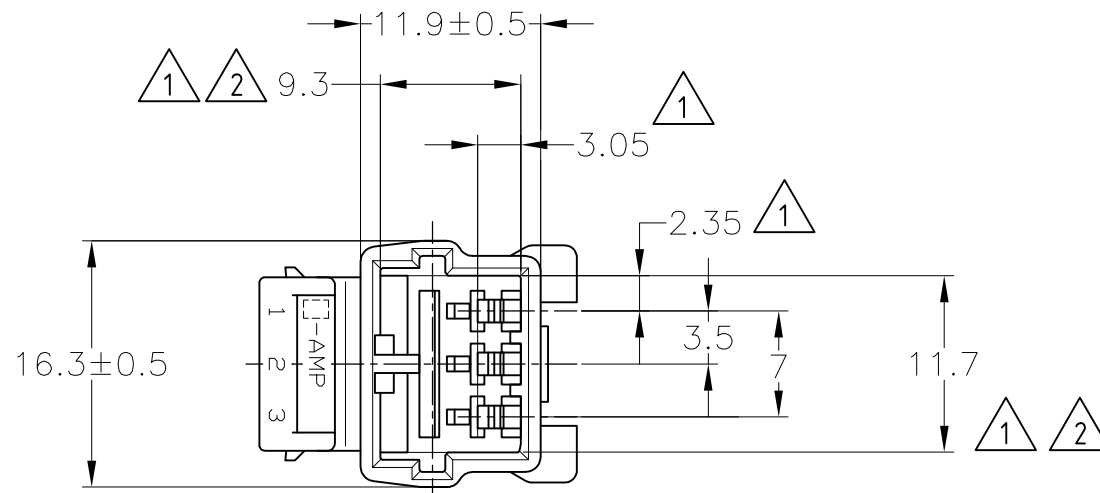
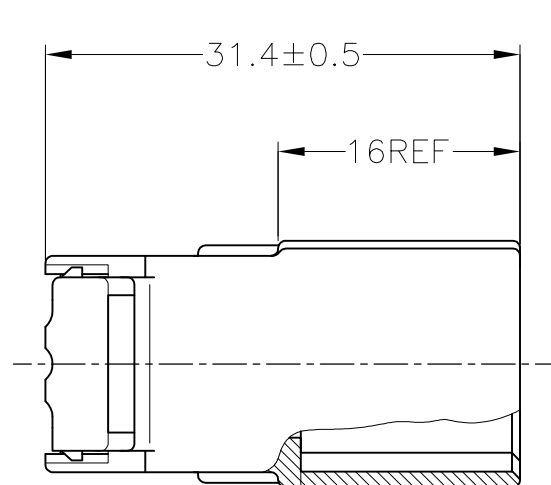
THIS DRAWING IS UNPUBLISHED.

RELEASED FOR PUBLICATION

ALL RIGHTS RESERVED.

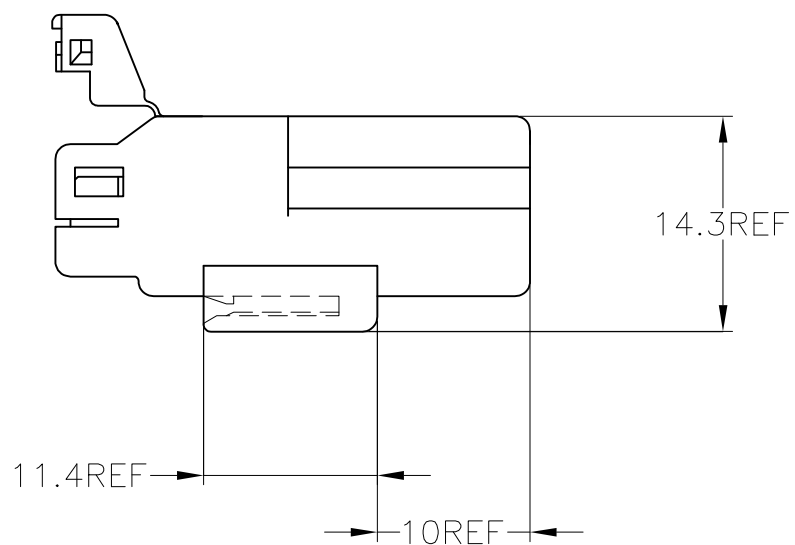
© COPYRIGHT - By -

LOC	DIST	REVISIONS					
J	-	P	LTR	DESCRIPTION	DATE	DWN	APVD
			C2	REVISED PER ECO-11-005140	28MAR11	RK	HMR




1. MUST BE KEPT BETWEEN **-A-** AND 2
2. TO BE MATED WITH PLUG HOUSING SMOOTHLY
3. APPLIED TAB CONTACT; P/N 173633 AND 173645
4. APPLIED PLUG HOUSING; P/N 174921 etc

1. **-A-** 面より 2mm の範囲で測定
2. 相手ハウジングと所定の昨日を満足して嵌合できること
3. 内装するリセプタクルコンタクトは型番 173633、173645
4. 嵌合相手ハウジング型番 174921 他



V-2	白 (WHITE)	1-174928-1	
HB	黄 (YELLOW)	174928-7	
	灰 (GRAY)	174928-6	
	青 (BLUE)	174928-5	
	緑 (GREEN)	174928-4	
	黒 (BLACK)	174928-2	
	白 (WHITE)	174928-1	
使用材料難燃グレード (FLAMMABILITY OF MATERIAL)		色 (COLOR)	型番 (PART NUMBER)

THIS DRAWING IS A CONTROLLED DOCUMENT.		DWN	S.FUJITA	05DEC08	 TE Connectivity					
DIMENSIONS: mm		CHK	K.BETSUI	05DEC08				NAME 070 SERIES MULTILOCK I/O CONNECTOR 3POSITION HOUSING WIRE TO WIRE		
TOLERANCES UNLESS OTHERWISE SPECIFIED:		APVD	K.BETSUI	05DEC08						
0 PLC ± - 1 PLC ± - 2 PLC ± - 3 PLC ± - 4 PLC ± - ANGLES ± - FINISH -		PRODUCT SPEC	-					SIZE	CAGE CODE	DRAWING NO
MATERIAL		PBT		FINISH	-		WEIGHT	-		
TOLERANCES UNLESS OTHERWISE SPECIFIED: 一般公差 10 ≥ : ±0.2 30 ≥ > 10 : ±0.25 > 30 : ±0.3 ANGLE : ±3°		CUSTOMER DRAWING		SCALE	2:1		SHEET	1 OF 1		
				REV	C2					