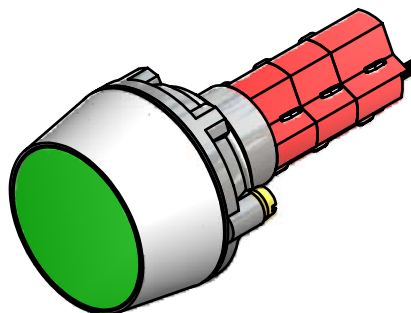
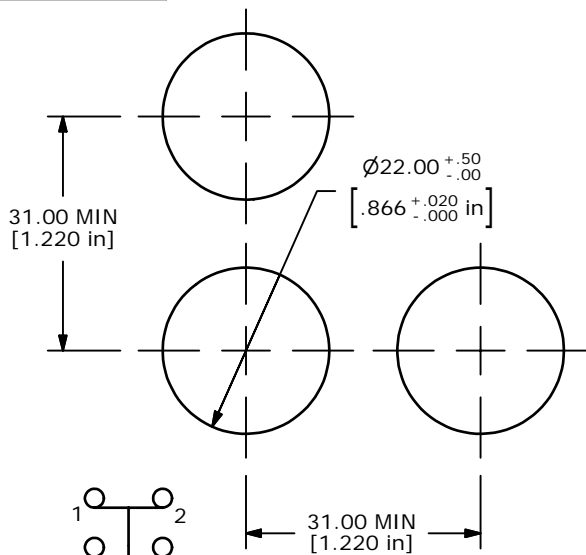
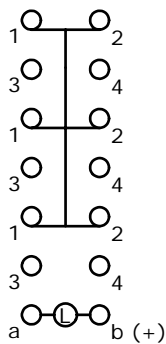


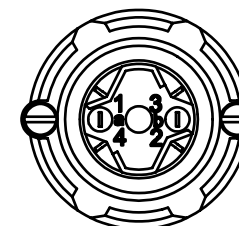
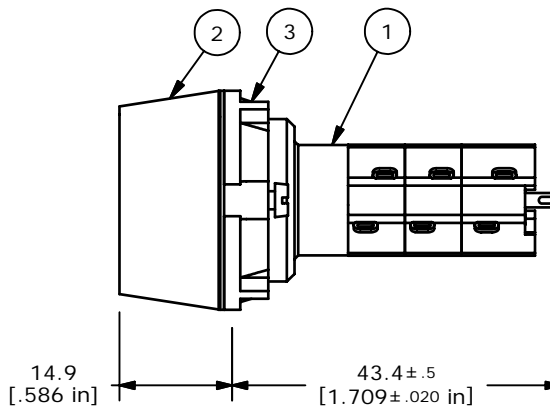
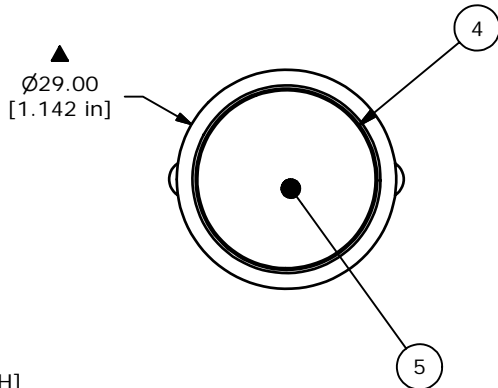
ITEM	QTY	PART NUMBER	DESCRIPTION
1	1	F060617	LASEEU13
2	1	F051701	29MM RING FOR LA SERIES
3	1	F060250	29MM LA U1 NUT
4	1	F061294	29MM GREEN LENS
5	1	F050419	12V GREEN LED



ISOMETRIC



3PDT CONTACT CONFIGURATION



NOTE:

1. ALL DIMENSIONS IN MM [INCH]
2. GENERAL TOLERANCE: X.X=±0.4
X.XX=±0.25
3. TERMINAL NUMBERS FOR REF ONLY
4. RATING: 5 AMPS @ 250VAC UL, VDE APPROVED
6 AMPS @ 24VDC UL, VDE APPROVED
5. ELECTRIC LIFE: 50,000 MAKE-AND-BREAK CYCLES AT FULL LOAD.
6. INSULATION RESISTANCE: 1,000 MEGA-OHM MIN.
7. OPERATING TEMP.: -25°C to 55°C
- ▲8. LAMP VOLTAGE: 12V GREEN LED
9. ▲ DENOTES CRITICAL PARAMETER.
10. PACKAGE: 20 PIECES PER BOX
11. 2002/95/EC (ROHS) COMPLIANT



A	16835	RELEASED FOR PRODUCTION	1/9/07	TN
REV	PCR NO	DESCRIPTION	DATE	BY

E-SWITCH®				
TITLE LASEEU13JGRNGRN				
SCALE	DATE	DR	DWG	REV
1:1	1/9/2007	TN	XF0704P	A

THE INFORMATION CONTAINED IN THIS DOCUMENT IS PROPRIETARY TO E-SWITCH AND IS NOT TO BE COPIED OR TRANSFERRED