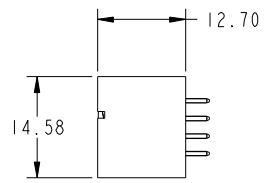
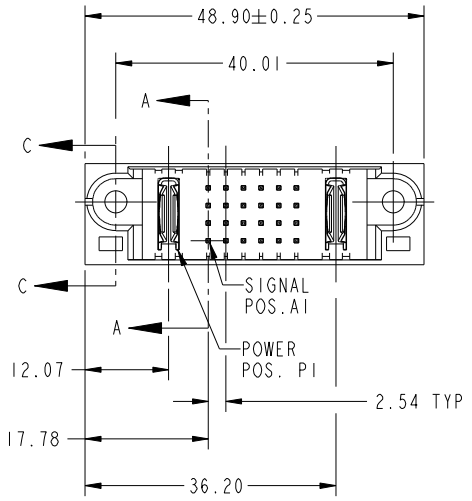
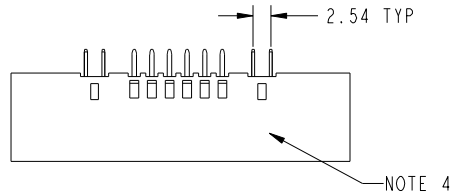


Tous droits strictement réservés. Reproduction ou communication a des tiers interdite sous quelque forme que ce soit sans autorisation écrite du propriétaire. Propriété de c FCI. Droits de reproduction FCI.



All rights strictly reserved. Reproduction or issue to third parties in any form whatever is not permitted without written authority from the proprietor. Property of FCI. Copyright FCI.

|                        |                  |       |    |        |   |   |   |   |   |       |    |
|------------------------|------------------|-------|----|--------|---|---|---|---|---|-------|----|
| PRODUCT No.            | ROWS             | POWER |    | SIGNAL |   |   |   |   |   | POWER |    |
|                        |                  | E1    | P1 | 1      | 2 | 3 | 4 | 5 | 6 | P2    | E2 |
| 51952-001--<br>NOTE: 3 | D<br>C<br>B<br>A |       |    |        |   |   |   |   |   |       |    |



| CODE | DIM "M"<br>±0.25 | CONTACT TYPE |
|------|------------------|--------------|
| E    | [6.86]           | SIGNAL       |
| H    | [5.59]           | SIGNAL       |
| PA   | [N/A]            | POWER        |

|             |           |                |          |             |             |                                       |                                      |          |   |                        |  |
|-------------|-----------|----------------|----------|-------------|-------------|---------------------------------------|--------------------------------------|----------|---|------------------------|--|
| mat'l code  |           |                |          | SEE NOTE    |             | tolerances unless otherwise specified |                                      | CUSTOMER |   | <br>www.fciconnect.com |  |
| ltr         | ecn no.   | dr             | date     | linear      | 0.X ±0.5    |                                       | COPY                                 |          | <br>title IP + 24S + 1P<br>VERTICAL SOLDER HEADER |                        |  |
| A           | V12513    | DAI            | 10/31/01 |             | 0.XX ±0.25  |                                       | projection                           |          |   |                        |  |
| B           | V21104    | TAB            | 10/01/02 |             | 0.XXX ±0.10 |                                       | <br>product family PwrBlade code 213 |          |   |                        |  |
| C           | V03-0093  | DAI            | 05/09/03 | angles      | 0° ±2°      |                                       | <br>size A                           |          | dwg no 51952-001<br>sheet 1 of 3                  |                        |  |
| D           | DG05-0240 | GuoJW          | 07/27/05 | dr          | J. WITMER   | 9/19/01                               | scale 1:1                            |          | cage code 22526                                   |                        |  |
| E           | DG05-0450 | Ryan           | 11/09/05 | enrg        | J. ALLISON  | 9/19/01                               |                                      |          |   |                        |  |
| F           | DG07-0498 | JW             | 09/15/08 | chr<br>appd | J. ALLISON  | 9/19/01                               |                                      |          |   |                        |  |
| sheet index |           | revision sheet |          | F           | F           | F                                     |                                      |          |   |                        |  |
|             |           |                |          | 1           | 2           | 3                                     |                                      |          |   |                        |  |

Pro/E

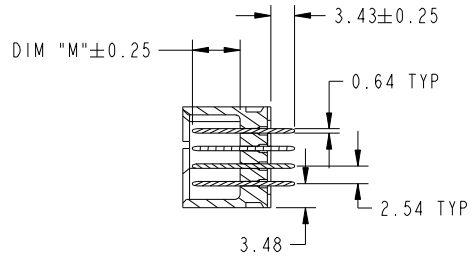
cage code 22526

Tous droits strictement reserves. Reproduction ou communication a des tiers interdite sous quelque forme que ce soit sans autorisation écrite du propriétaire. Propriete de c FCI. Droits de reproduction FCI.

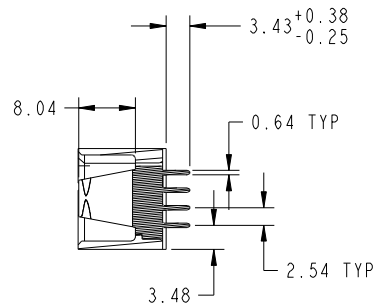


All rights strictly reserved. Reproduction or issue to third parties in any form whatever is not permitted without written authority from the proprietor. Property of FCI. Copyright FCI.

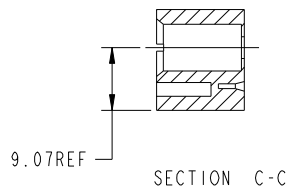
PRODUCT NUMBER  
51952-001--  
NOTE: 3



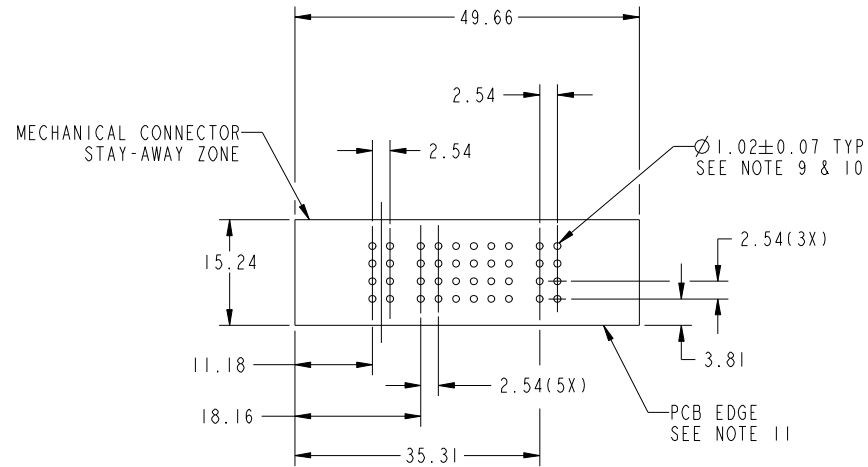
SECTION A-A



SECTION B-B



SECTION C-C



RECOMMENDED PCB LAYOUT

|             |         |                |      |                                       |                    |            |  |   |  |
|-------------|---------|----------------|------|---------------------------------------|--------------------|------------|--|---|--|
| mat'l code  |         | SEE NOTE       |      | tolerances unless otherwise specified |                    | CUSTOMER   |  | www.fciconnect.com                      |  |
| ltr         | ecr no. | dr             | date | linear                                | 0.X ± 0.5          | COPY       |  | title                                   |  |
| F           |         |                |      |                                       | 0.XX ± 0.25        | projection |  | IP + 24S + 1P<br>VERTICAL SOLDER HEADER |  |
|             |         |                |      | angles                                | 0.XXX ± 0.10       |            |  | product family PwrBlade code            |  |
|             |         |                |      | dr                                    | 0° + 2°            |            |  | size                                    |  |
|             |         |                |      | enr                                   | J. WITMER 9/19/01  | scale      |  | dwg no                                  |  |
|             |         |                |      | chr                                   | J. ALLISON 9/19/01 | 1:1        |  | 51952-001                               |  |
|             |         |                |      | appd                                  | J. ALLISON 9/19/01 |            |  | sheet                                   |  |
| sheet index |         | revision sheet |      |                                       |                    |            |  | 213                                     |  |
|             |         |                |      |                                       |                    |            |  | 2                                       |  |

cage code 22526

Pro/E

Tous droits strictement reserves. Reproduction ou communication a des tiers interdite sous quelque forme que ce soit sans autorisation écrite du propriétaire. Propriete de c FCI. Droits de reproduction FCI.



All rights strictly reserved. Reproduction or issue to third parties in any form whatever is not permitted without written authority from the proprietor. Property of FCI. Copyright FCI.

|                        |
|------------------------|
| PRODUCT NUMBER         |
| 51952-001--<br>NOTE: 3 |

NOTES:

1. DIMENSIONS AND TOLERANCES ARE IN ACCORDANCE WITH ASME Y14.5M, 1994 UNLESS OTHERWISE SPECIFIED.

CONNECTOR NOTES:

2. HOUSING MATERIAL: UL 94 V-0 GLASS FILLED HIGH TEMP THERMOPLASTIC  
POWER CONTACT MATERIAL: COPPER ALLOY  
SIGNAL CONTACT MATERIAL: COPPER ALLOY

3. PLATING:  
SEE ITEM 1 & 2 IN PRINT 10064183 FOR PLATING SPEC OF 51952-001; 51952-001LF RESPECTIVELY

4. "MANUFACTURER'S" NAME, P/N, AND DATE CODE TO APPEAR ON THIS SURFACE

5. PRODUCT SPECIFICATION GS-12-149.  
APPLICATION SPECIFICATION BUS-20-067.

6. PACKAGED IN TRAYS.

PCB NOTES:

7. ALL DIMENSIONS ARE BASIC UNLESS OTHERWISE SPECIFIED.

8. ALL THROUGH HOLES ARE LOCATED WITH A TRUE POSITION OF 0.004 [0.10]

9. ALL HOLE DIAMETERS ARE FINISHED HOLE SIZE

10.  $\varnothing 1.151 \pm 0.025$  DRILLED HOLES PLATED WITH  
0.008 MIN SnPb OR Sn OVER 0.03  
TO 0.08 Cu PLATING TO ACHIEVE  
 $\varnothing 1.02 \pm .07$  HOLE.

11. CONNECTOR KEEP-OUT ZONE.

12. A SYMBOL WILL BE NEXT TO ANY DIMENSION, VIEW, OR NOTE WHICH HAS BEEN MODIFIED WITH THE CURRENT DRAWING REVISION.

|             |                |          |      |                                       |              |          |                                  |                    |  |
|-------------|----------------|----------|------|---------------------------------------|--------------|----------|----------------------------------|--------------------|--|
| mat'l code  |                | SEE NOTE |      | tolerances unless otherwise specified |              | CUSTOMER |                                  | www.fciconnect.com |  |
| ltr         | ecn no.        | dr       | date | linear                                | 0.X ± 0.5    |          | COPY                             |                    | title<br>IP + 24S + 1P<br>VERTICAL SOLDER HEADER |
| F           |                |          |      |                                       | 0.XX ± 0.25  |          | projection                       |                    |  |
|             |                |          |      |                                       | 0.XXX ± 0.10 |          | product family PwrBlade code 213 |                    |  |
|             |                |          |      | angles                                | 0° ± 2°      |          | size                             |                    | sheet 3  |
|             |                |          |      | dr                                    | J. WITMER    | 9/19/01  | scale                            |                    |  |
|             |                |          |      | enr                                   | J. ALLISON   | 9/19/01  | A                                |                    |  |
|             |                |          |      | chr                                   | J. ALLISON   | 9/19/01  | 1:1                              |                    |  |
|             |                |          |      | appd                                  | J. ALLISON   | 9/19/01  |                                  |                    |  |
| sheet index | revision sheet |          |      |                                       |              |          |                                  |                    |  |

cage code 22526

Pro/E