



ON Semiconductor®

<http://onsemi.com>

LA6681MC

Monolithic Linear IC

Single-phase Full-wave Fan Motor IC

Overview

The LA6681MC drives the single-phase bipolar fan motor, through low-saturation BTL output linear drive, silently and at high efficiency with suppressed reactive power while saving power.

This product is the most suitable for the CPU cooler fan motor operating on 5V power for notebook PC, which is required to be compactness and low noise.

Functions

- Single-phase full-wave linear drive by BTL output.
: Linear drive for further silence and the most suitable for fan motor for the notebook PC.
- Operable at low voltage and over a wide operation voltage range (2.0 to 7.0V)
- Low saturation output (Upper + lower saturation voltages: $V_{O\text{sat}}(\text{total}) = 0.32\text{V typ}$, $I_O = 400\text{mA}$)
: High coil efficiency and small current drain. Small heat generation from IC itself
- FG output (Rotation detection output: Open collector output)
- High impedance of Hall input pin
- Heat protection circuit
: The heat protection circuit suppresses the drive current to prevent burn or damage of IC when the large current flows due to output short-circuit and the IC chip temperature exceeds 180°C.
- Small package with high heat capacity

Specifications

Absolute Maximum Ratings at $T_a = 25^\circ\text{C}$

Parameter	Symbol	Conditions	Ratings	Unit
Supply voltage	$V_{CC \text{ max}}$		8	V
Output current	$I_{OUT \text{ max}}$		1.0	A
Output withstand voltage	$V_{OUT \text{ max}}$		8	V
FG output withstand voltage	$V_{FG \text{ max}}$		8	V
FG output current	$I_{FG \text{ max}}$		5	mA
Allowable dissipation	$P_d \text{ max}$	Mounted on a specified board. *1	750	mW
Operating temperature	T_{opr}	*2	-30 to +110	°C
Storage temperature	T_{stg}		-55 to +150	°C

*1: Mounted on a specified board: 114.3×76.1×1.6 mm³, glass epoxy board.

*2: $T_{j\text{max}} = 150^\circ\text{C}$ max must not be exceeded.

Caution 1) Absolute maximum ratings represent the value which cannot be exceeded for any length of time.

Caution 2) Even when the device is used within the range of absolute maximum ratings, as a result of continuous usage under high temperature, high current, high voltage, or drastic temperature change, the reliability of the IC may be degraded. Please contact us for the further details.

Stresses exceeding Maximum Ratings may damage the device. Maximum Ratings are stress ratings only. Functional operation above the Recommended Operating Conditions is not implied. Extended exposure to stresses above the Recommended Operating Conditions may affect device reliability.

LA6681MC

Recommended Operating Conditions at Ta = 25°C

Parameter	Symbol	Conditions	Ratings	Unit
Supply voltage	V _{CC}		2.0 to 7.0	V
Common-phase input voltage range of Hall input	V _{ICM}		0.3 to V _{CC} -1.5	V

Electrical Characteristics at Ta = 25°C, V_{CC} = 5V, unless otherwise specified.

Parameter	Symbol	Conditions	Ratings			Unit
			min	typ	max	
Circuit current	I _{CC}	I _N -=1.0V, I _N + =2.0V, R _L =∞		14	19	mA
OUT saturation voltage L	V _{OSatL}	I _O = 400mA		0.17	0.25	V
OUT saturation voltage H	V _{OSatH}	I _O = 400mA		0.21	0.30	V
Input offset voltage	VOFST	Zero peak value		0	5	mV
Hall bias voltage	V _{HB}	I _{HB} = 5mA	1.3	1.4	1.5	V
Hall amplifier gain	V _g		42	46	47	dB
Hall amplifier input current	V _{INR}		-10	-2	10	μA
FG output L voltage	V _{FG}	I _{FG} = 3mA		0.2	0.3	V
FG output leakage current	I _{FG} L	V _{FG} = 7V			30	μA
Overheat protection circuit	Th	* Design guarantee	150	180	210	°C

Truth Table

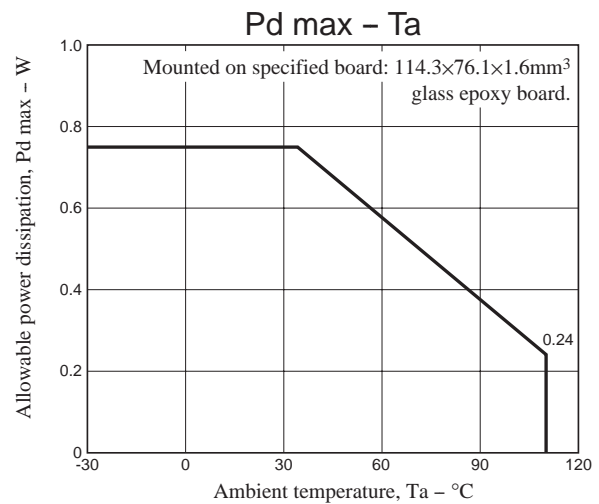
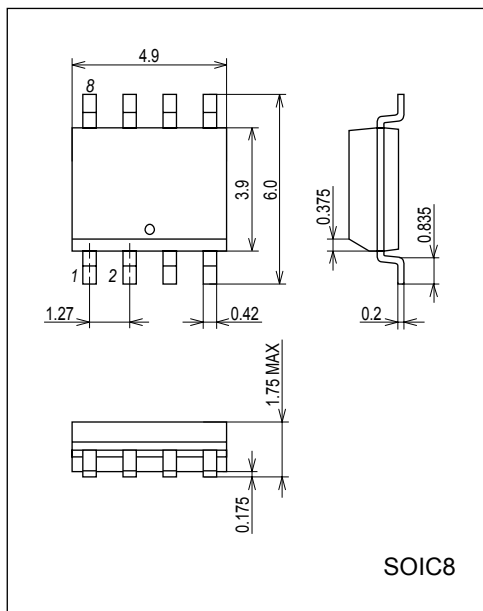
IN ⁻	IN ⁺	OUT1	OUT2	FG	Mode
H	L	H	L	L	During rotation
L	H	L	H	OFF	
-	-	OFF	OFF	-	Overheat protected

-:Don't care.

Package Dimensions

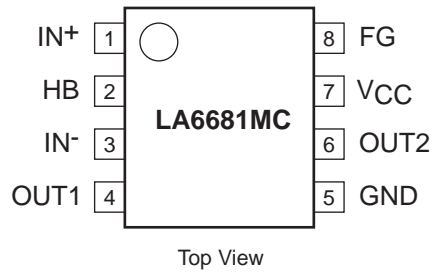
unit : mm (typ)

3424

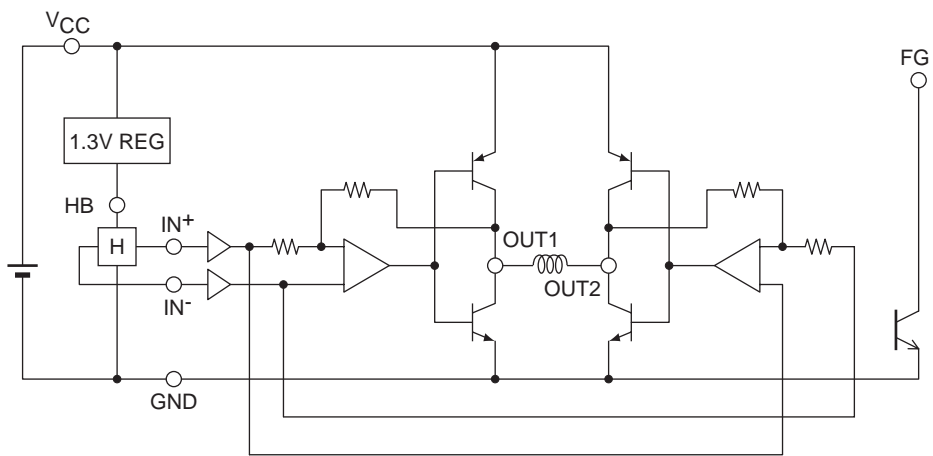


LA6681MC

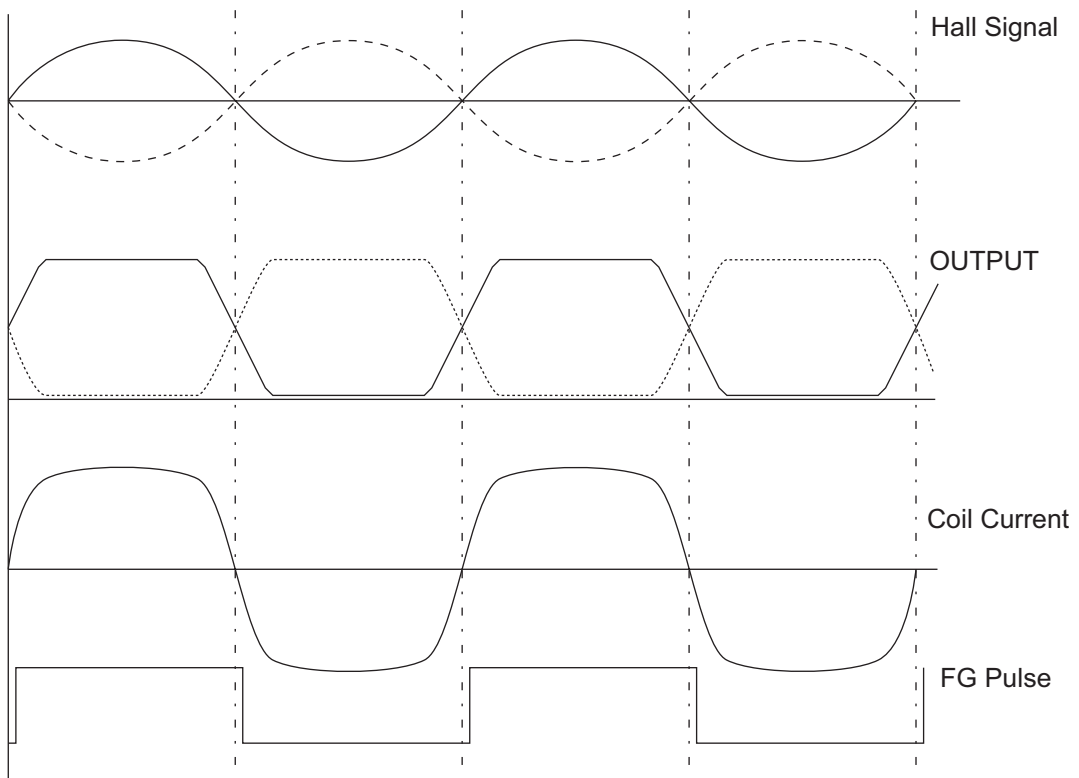
Pin Assignment



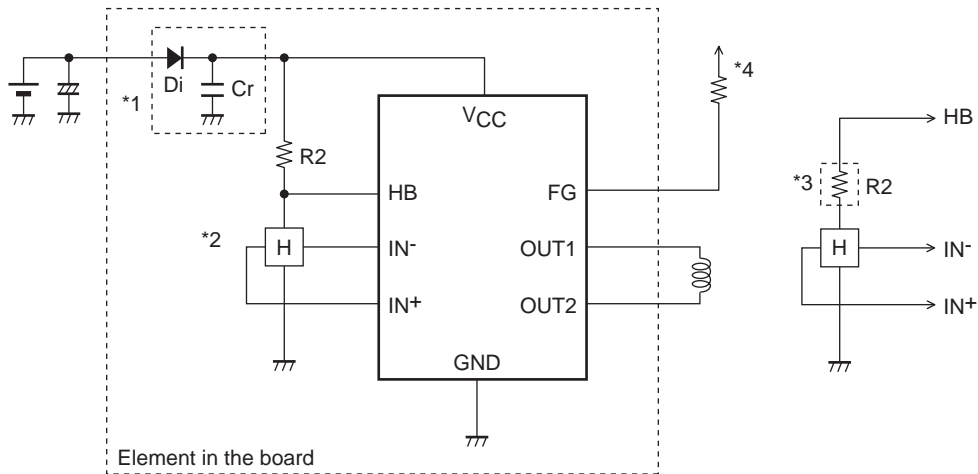
Block Diagram



Timing chart



Application Circuit Examples



- *1: When Di to prevent breakdown in case of reverse connection is used, it is necessary to insert a capacitor Cr to secure the regenerative current route. Similarly, Cr is necessary to enhance the reliability when there is no capacitor near the fan power line.
- *2: Basically, by taking the bias from HB 1.3V constant-output voltage, stable Hall and coil outputs can be obtained at high temperature. When taking the Hall bias from VCC, insert the limiting resistor R2 on the VCC side as shown in the figure, for biasing. (The use together with HB bias is recommended.)
- *3: Linear drive is made by amplifying the Hall output to perform voltage control of the coil. When the Hall element output is high, the starting performance and efficiency are improved. By adjusting (R3) the Hall element, the operation becomes more silent.
- *4: Keep this open when not using.

ON Semiconductor and the ON logo are registered trademarks of Semiconductor Components Industries, LLC (SCILLC). SCILLC owns the rights to a number of patents, trademarks, copyrights, trade secrets, and other intellectual property. A listing of SCILLC's product/patent coverage may be accessed at www.onsemi.com/site/pdf/Patent-Marking.pdf. SCILLC reserves the right to make changes without further notice to any products herein. SCILLC makes no warranty, representation or guarantee regarding the suitability of its products for any particular purpose, nor does SCILLC assume any liability arising out of the application or use of any product or circuit, and specifically disclaims any and all liability, including without limitation special, consequential or incidental damages. "Typical" parameters which may be provided in SCILLC data sheets and/or specifications can and do vary in different applications and actual performance may vary over time. All operating parameters, including "Typicals" must be validated for each customer application by customer's technical experts. SCILLC does not convey any license under its patent rights nor the rights of others. SCILLC products are not designed, intended, or authorized for use as components in systems intended for surgical implant into the body, or other applications intended to support or sustain life, or for any other application in which the failure of the SCILLC product could create a situation where personal injury or death may occur. Should Buyer purchase or use SCILLC products for any such unintended or unauthorized application, Buyer shall indemnify and hold SCILLC and its officers, employees, subsidiaries, affiliates, and distributors harmless against all claims, costs, damages, and expenses, and reasonable attorney fees arising out of, directly or indirectly, any claim of personal injury or death associated with such unintended or unauthorized use, even if such claim alleges that SCILLC was negligent regarding the design or manufacture of the part. SCILLC is an Equal Opportunity/Affirmative Action Employer. This literature is subject to all applicable copyright laws and is not for resale in any manner.