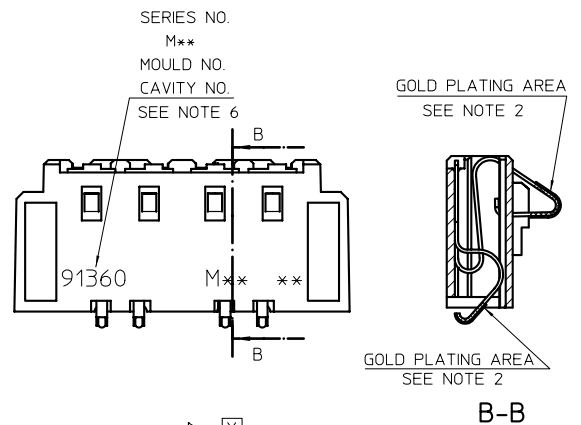
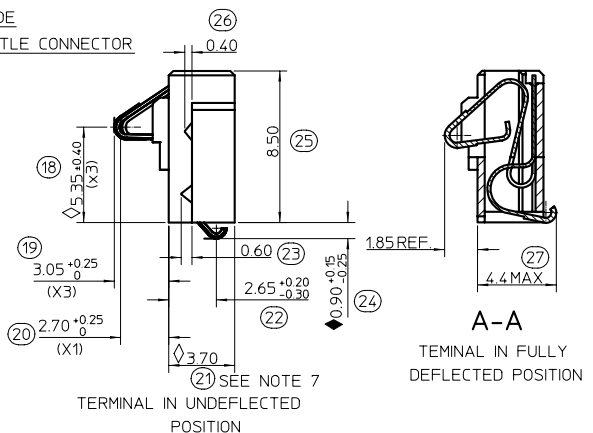
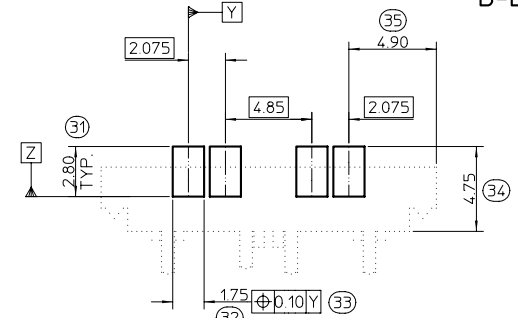


TERMINALS OMITTED FOR CLARITY TO SHOW PLASTIC DIMENSIONS



VERSION No.	DESCRIPTION
3	MATERIAL CHANGED FROM GREY TO BLACK



RECOMMENDED PCB LAYOUT

- NOTES:
- MATERIALS:
HOUSING: POLYESTER (PBT), 30% GLASS FILL, UL94 V-0, COLOUR BLACK
CONTACT: PHOSPHOR BRONZE CuSn8 0.15 REF. THICK
 - PLATING:
25um NICKEL UNDERCOAT ALLOVER. 0.76um HARD GOLD AT CROWN POINT. GOLD FLASH PRESENT OVER BEADED AREA.
 - PACKAGING: TAPE AND REEL
 - PART WEIGHT IS 0.66g
 - DATECODE CONSISTING OF YEAR, WEEK, DAY, M/C NO., VERSION No., APPROVAL CODING
APPROVAL CODING: 'V' INDICATES PART FROM PRE-APPROVED LINE. 'A' INDICATES PART FROM APPROVED LINE.
TO BE HOT STAMPED WITH 1.6mm HIGH TEXT.
 - TEXT TO BE 1.0mm HIGH & RECESSED 0.1mm - M** DENOTES MOLEX ENTITY WHERE PART WAS MOULDED: MXI=SHANNON, MSH=SHANGHAI, MX=US
 - DIMENSIONS 21 AND 30 TO BE USED FOR MOULD Cpk STUDIES.
LAST INSPECTION NUMBER USED: (35)

VARIOUS MODS:
E2001-0530
EKELLY 00/11/08

◇ = 3
◆ = 1

5:1 X X
CTOBIN
MWILHITE

91360-0003