

Panel feed-through terminal block - HDFKV 25-TWIN - 0709563

Please be informed that the data shown in this PDF Document is generated from our Online Catalog. Please find the complete data in the user's documentation. Our General Terms of Use for Downloads are valid (<http://phoenixcontact.com/download>)




Panel feed-through terminal block, connection method: Screw connection, Screw connection, number of positions: 1, load current: 125 A, cross section: 6 mm² - 35 mm², AWG 10 - 2, connection direction of the conductor to plug-in direction: 90 °, width: 15.1 mm, color: gray

Why buy this product

- Easy grouping with engagement pin versions
- Both terminal halves can be easily assembled by simply snapping them together
- Automatic compensation of the panel thickness via the snap principle integrated in the insulation housing
- Universal screw connection with screw locking
- Ideal for looping through power supply cables



Key Commercial Data

Packing unit	25 STK
GTIN	 4 017918 117061
GTIN	4017918117061

Technical data

General

Number of levels	1
Number of connections	2
Nominal cross section	25 mm ²
Color	gray
Insulating material	PA
Flammability rating according to UL 94	V0
Maximum load current	125 A
Rated surge voltage	6 kV
Degree of pollution	3
Overvoltage category	III
Insulating material group	I

Panel feed-through terminal block - HDFKV 25-TWIN - 0709563

Technical data

General

Connection in acc. with standard	IEC 60947-7-1
Nominal current I_N	101 A (the maximum load current must not be exceeded by the total current of the connected conductors)
Maximum load current	125 A
Nominal voltage U_N	500 V
Open side panel	No
Number of positions	1

Dimensions

Width	15.1 mm
Pitch	15.1 mm
Plate thickness	1 mm ... 6 mm

Connection data

Note	Terminal sleeve
Connection side	Level 1 ext. 1
Connection method	Screw connection
Conductor cross section solid min.	6 mm ²
Conductor cross section solid max.	35 mm ²
Conductor cross section flexible min.	10 mm ²
Conductor cross section flexible max.	25 mm ²
Conductor cross section AWG min.	10
Conductor cross section AWG max.	2
Conductor cross section flexible, with ferrule without plastic sleeve min.	4 mm ²
Conductor cross section flexible, with ferrule without plastic sleeve max.	25 mm ²
Conductor cross section flexible, with ferrule with plastic sleeve min.	4 mm ²
Conductor cross section flexible, with ferrule with plastic sleeve max.	25 mm ²
2 conductors with same cross section, solid min.	2.5 mm ²
2 conductors with same cross section, solid max.	10 mm ²
2 conductors with same cross section, stranded min.	4 mm ²
2 conductors with same cross section, stranded max.	10 mm ²
2 conductors with same cross section, stranded, ferrules without plastic sleeve, min.	2.5 mm ²
2 conductors with same cross section, stranded, ferrules without plastic sleeve, max.	10 mm ²
2 conductors with same cross section, stranded, TWIN ferrules with plastic sleeve, min.	2.5 mm ²
2 conductors with same cross section, stranded, TWIN ferrules with plastic sleeve, max.	10 mm ²
Stripping length	19 mm
Internal cylindrical gage	B8
Screw thread	M5
Tightening torque, min	4 Nm

Panel feed-through terminal block - HDFKV 25-TWIN - 0709563

Technical data

Connection data

Tightening torque max	4.5 Nm
Connection method	Screw connection

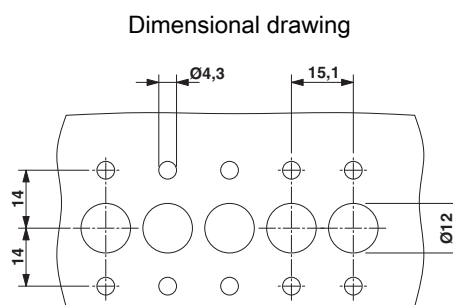
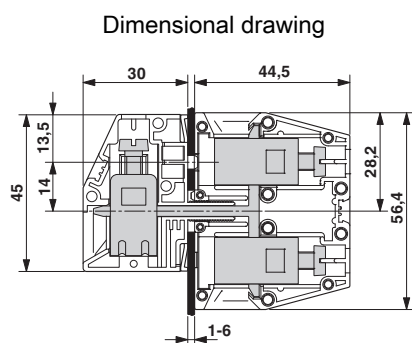
Standards and Regulations

Connection in acc. with standard	CSA
	IEC 60947-7-1
Flammability rating according to UL 94	V0

Environmental Product Compliance

REACH SVHC	Lead 7439-92-1
China RoHS	Environmentally Friendly Use Period = 50
	For details about hazardous substances go to tab "Downloads", Category "Manufacturer's declaration"

Drawings



Approvals

Approvals

Approvals

UL Recognized / CSA / EAC

Ex Approvals


Approval details

UL Recognized		http://database.ul.com/cgi-bin/XYV/template/LISEXT/1FRAME/index.htm	E60425-19890329
	B	C	
Nominal voltage UN	600 V	600 V	

Panel feed-through terminal block - HDFKV 25-TWIN - 0709563

Approvals

	B	C
Nominal current I _N	115 A	115 A
mm ² /AWG/kcmil	8-2	8-2

CSA		http://www.csagroup.org/services-industries/product-listing/	13631
	B	C	
Nominal voltage U _N	600 V	600 V	
Nominal current I _N	100 A	100 A	
mm ² /AWG/kcmil	8-4	8-4	

EAC			B.01742
-----	---	--	---------

Phoenix Contact 2018 © - all rights reserved
<http://www.phoenixcontact.com>

PHOENIX CONTACT GmbH & Co. KG
 Flachsmarktstr. 8
 32825 Blomberg
 Germany
 Tel. +49 5235 300
 Fax +49 5235 3 41200
<http://www.phoenixcontact.com>