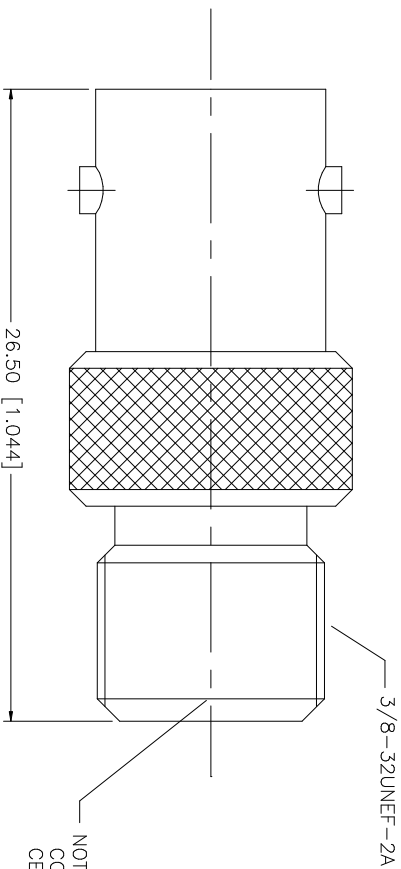


REV.	DATE	DESCRIPTION
A	03/04/04	UPDATE DRAWING FORMAT/ MODIFY BODY DESIGN



						UNLESS OTHERWISE SPECIFIED DIMENSIONS ARE IN MILLIMETERS DIMENSIONS IN [ ] ARE IN INCHES AND FOR CUSTOMER REFERENCE ONLY.				APPROVALS	DATE	<h1 style="color: blue; margin: 0;">Amphenol Connex</h1> <p style="margin: 0;">PART DESCRIPTION</p> <p style="margin: 0;"><b>BNC FEMALE TO F FEMALE ADAPTER</b></p> <p style="margin: 0;">PART NO. <b>242161</b></p>						
8							DRAWN	G.R.S.		03/04/04								
7						UNLESS OTHERWISE SPECIFIED TOLERANCES FOR MILLIMETERS ARE:	CHECKED											
6						0.5 - 8mm ± 0.20mm	ISSUED											
5						8 - 30mm ± 0.40mm												
4						30 - 120mm ± 0.50mm	SHEET	1 OF 1										
3	CONTACT PIN	PHOS. BRONZE				UNLESS OTHERWISE SPECIFIED TOLERANCES FOR INCHES ARE:												
2	INSULATOR	TEFLON				.020 - .315 = ± 0.007"												
1	BODY	BRASS				.315 - 1.180 = ± 0.015"												
	DESCRIPTION	MATERIAL				1.180 - 4.724 = ± 0.020"												
			FINISH		QTY	DO NOT SCALE DRAWING	CAD FILE	C:/242/242161.DWG			DWG. NO.	242161.DWG	REV.	A	SIZE	A	SCALE	NA