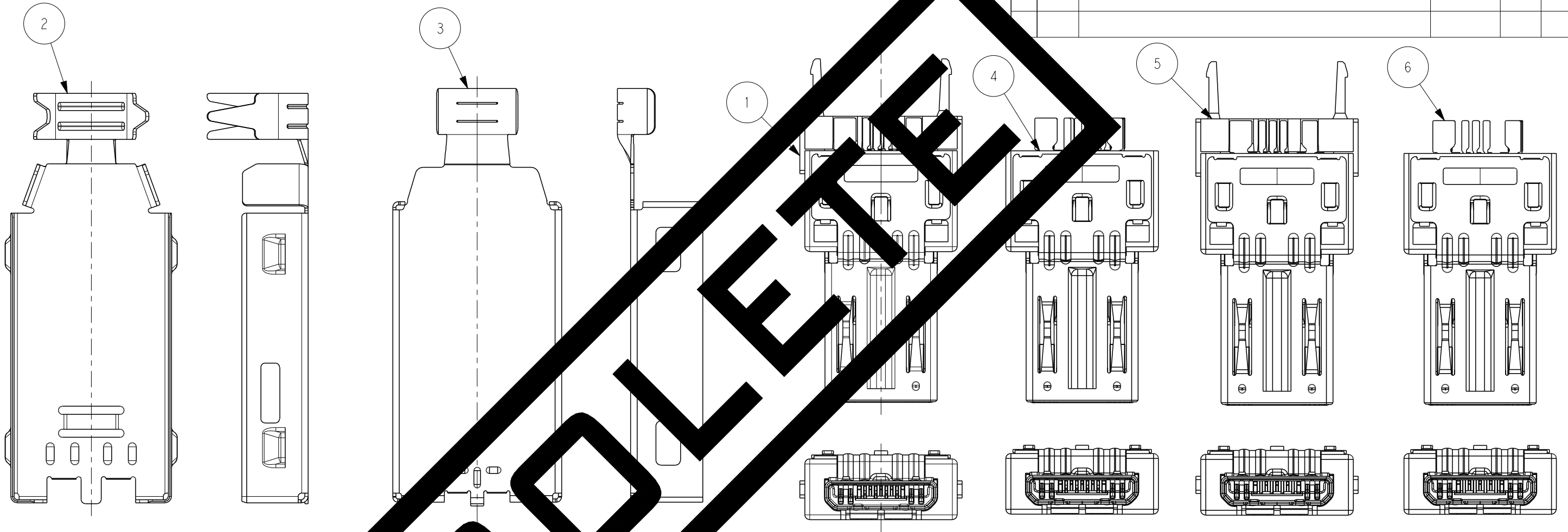


P	LTR	DESCRIPTION	DATE	DWN	APVD
	A	ECR-15-013671	17SEP2015	B.L	H.W

REFERENCE: COVER SHELL ASSEMBLY



5+4 / FOR PCB SOLDER	2-2199225-4	COVER SHELL (BOTTOM)	2199301-2	1	③
		COVER SHELL (TOP)	2199297-2	1	②
		SEMI PLUG ASSY	1-2199225-2	1	⑥
5+4 / FOR WIRE SOLDER	2-2199225-3	COVER SHELL (BOTTOM)	2199301-2	1	③
		COVER SHELL (TOP)	2199297-2	1	②
		SEMI PLUG ASSY	1-2199225-1	1	⑤
5+4+4 / FOR PCB SOLDER	2-2199225-2	COVER SHELL (BOTTOM)	2199301-2	1	③
		COVER SHELL (TOP)	2199297-2	1	②
		SEMI PLUG ASSY	2199225-2	1	④
5+4+4 / FOR WIRE SOLDER	2-2199225-1	COVER SHELL (BOTTOM)	2199301-2	1	③
		COVER SHELL (TOP)	2199297-2	1	②
		SEMI PLUG ASSY	2199225-1	1	①
APPLICABLE CABLE ASSY	PART NO. FOR KIT	DESCRIPTION	PART NO.	QTY	ITEM

- 1. ITEM 2, 3 ARE IN ASSEMBLY
- 2. PACKAGING QUANTITY: 100
- 3. MATERIAL:
 - ① REFER TO NOTE 3.
 - ② TOP SHELL: STAINLESS STEEL, THICKNESS=0.3±0.015.
 - ③ BOTTOM SHELL: STAINLESS STEEL, THICKNESS=0.3±0.015.

THIS DRAWING IS A CONTROLLED DOCUMENT.

DIMENSIONS: mm	TOLERANCES UNLESS OTHERWISE SPECIFIED: 0 PLC ±0.25 1 PLC ±0.25 2 PLC ±0.15 3 PLC ±0.15 4 PLC ±0.15 ANGLES ±3°	MATERIAL SEE NOTE 3	FINISH SEE NOTE 4
-------------------	---	------------------------	----------------------

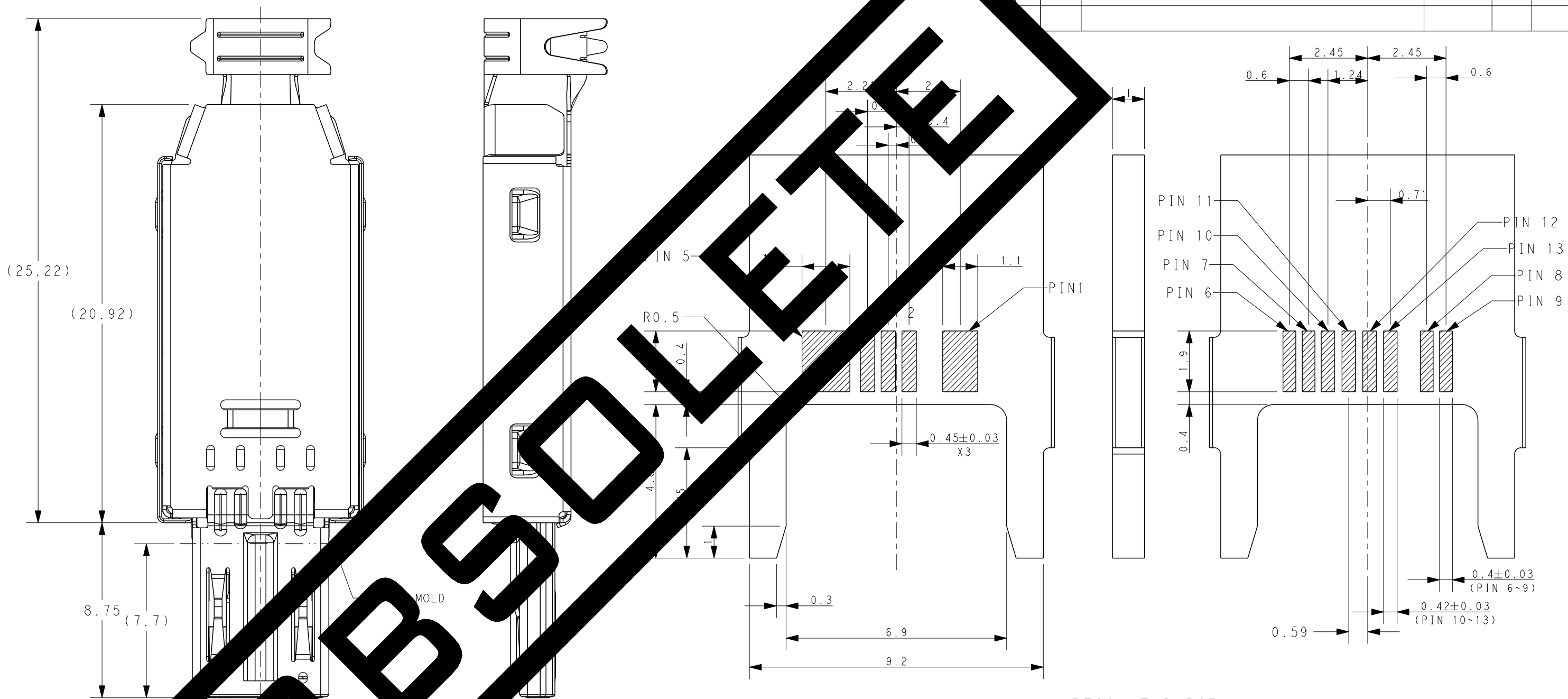
DWN N. TSAI 17-Sep-15	CHK G. SHIH 17-Sep-15	APVD M. CHAO 17-Sep-15	NAME MULTI I/O 5+4+4 CABLE PLUG KIT
PRODUCT SPEC 108-115055	APPLICATION SPEC 501-	WEIGHT	SIZE A3
Customer Drawing		SCALE 4:1	DRAWING NO. C-2199225
		SHEET 1 OF 3	RESTRICTED TO REV A

TE Connectivity

REVISIONS

P	LTR	DESCRIPTION	DATE	DWN	APVD
-	-	SEE SHEET 1	-	-	-

REFERENCE: COVER SHELL ASSEMBLY



RECOMMEND PCB FOR PCB SOLUTION TOLERANCE: ±0.05

THIS DRAWING IS A CONTROLLED DOCUMENT.

DIMENSIONS:	TOLERANCES UNLESS OTHERWISE SPECIFIED:
mm	0 PLC ±0.25
	1 PLC ±0.25
	2 PLC ±0.15
	3 PLC ±0.15
	4 PLC ±0.15
	ANGLES ±3°
MATERIAL	FINISH
-	-

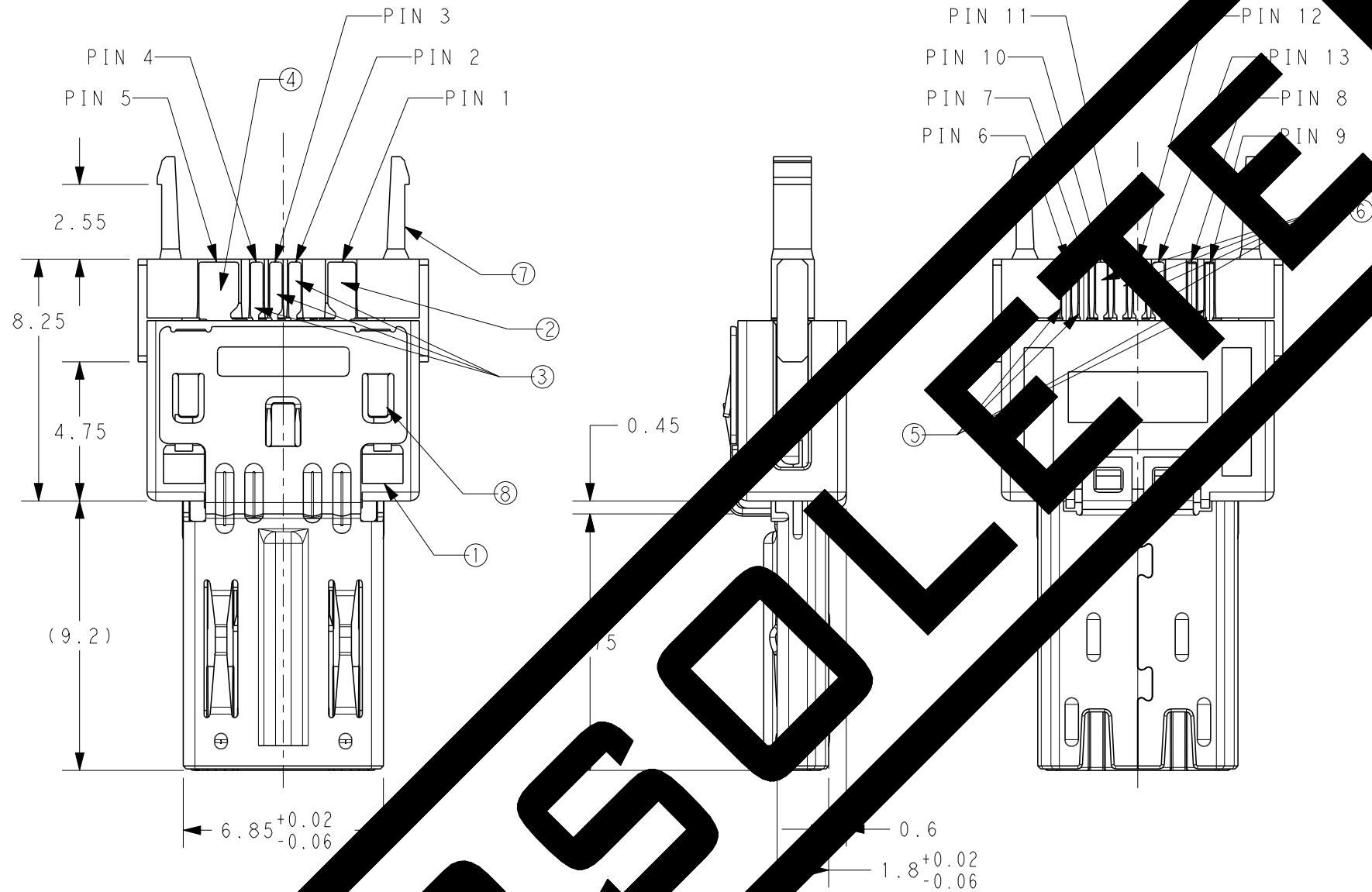
DWN	-
CHK	-
APVD	-
PRODUCT SPEC	-
APPLICATION SPEC	-
WEIGHT	-
Customer Drawing	



NAME		MULTI I/O 5+4+4 CABLE PLUG KIT	
SIZE	CAGE CODE	DRAWING NO	RESTRICTED TO
A	300779	C-2199225	-
SCALE	SHEET	OF	REV
5:1	2	3	A

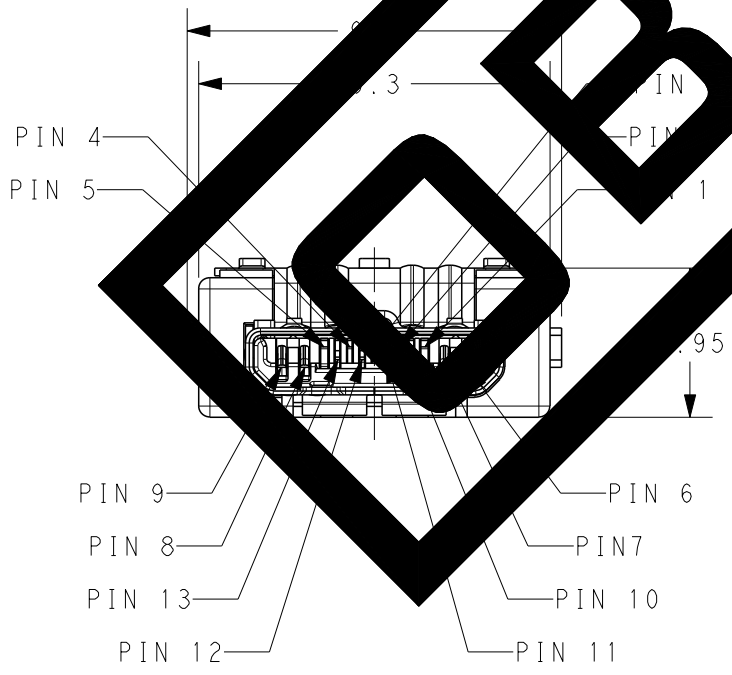
REVISIONS

P	LTR	DESCRIPTION	DATE	DWN	APVD
-	-	SEE SHEET 1	-	-	-



REFERENCE: SEMI ASSEMBLY

1. MATERIAL:
- ① HOUSING: HIGH TEMPERATURE THERMOPLASTIC, UL94 V-0, COLOR: BLACK.
 - ② USB POWER CONTACT (PIN1): COPPER ALLOY, THICKNESS=0.2±0.015.
 - ③ USB 2 SIGNAL CONTACT (PIN2~4): COPPER ALLOY, THICKNESS=0.127±0.015.
 - ④ USB GROUND CONTACT (PIN5): COPPER ALLOY, THICKNESS=0.2±0.015.
 - ⑤ USB 3 CONTACT (PIN6~9): COPPER ALLOY, THICKNESS=0.2±0.015.
 - ⑥ SIGNAL PIN10~13: COPPER ALLOY THICKNESS=0.127±0.015.
 - ⑦ TINE PLATE: HIGH TEMPERATURE THERMOPLASTIC, UL94 V-0, COLOR: BLACK.
 - ⑧ FOUNT SHELL: STAINLESS STEEL, THICKNESS=0.2±0.015.
2. FINISH:
- CONTACT: 0.75um[30u"] MIN. GOLD PLATING ON CONTACT AREA AND 2.5um[100u"] MIN. TIN ON SOLDER AREA OVER 1.3um[50u"] MIN. NICKEL UNDER PLATING.
 - SHELL: NON-PLATED.



PIN NO.	SIGNAL NAME
13	CONTROL -4
12	CONTROL -3
11	CONTROL -2
10	CONTROL -1
9	StdA_SSTX+
8	StdA_SSTX-
7	StdA_SSRX+
6	StdA_SSRX-
5	GND-uUSB
4	ID
3	D+
2	D-
1	VBUS

PIN DEFINITION (REFERENCE)

QTY	DESCRIPTION	ITEM
1	BASE SHELL	8
1	TINE PLATE	7
4	CONTACT PIN10~13	6
1	CONTACT PIN 6,7,8,9	5
3	CONTACT PIN 5	4
1	CONTACT PIN 2,3,4	3
4	CONTACT PIN 1	2
1	HOUSING	1

THIS DRAWING IS A CONTROLLED DOCUMENT.

DWN: -
CHK: -
APVD: -
PRODUCT SPEC: -
APPLICATION SPEC: -
WEIGHT: -

STE TE Connectivity

NAME: MULTI I/O 5+4+4 CABLE PLUG KIT

SIZE: A3 CAGE CODE: 300779 DRAWING NO: ©-2199225

Customer Drawing SCALE: 5:1 SHEET: 3 OF 3 REV: A