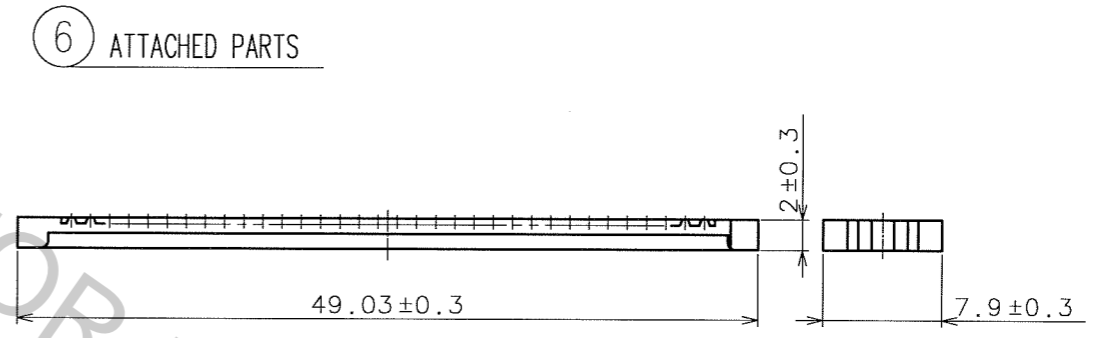
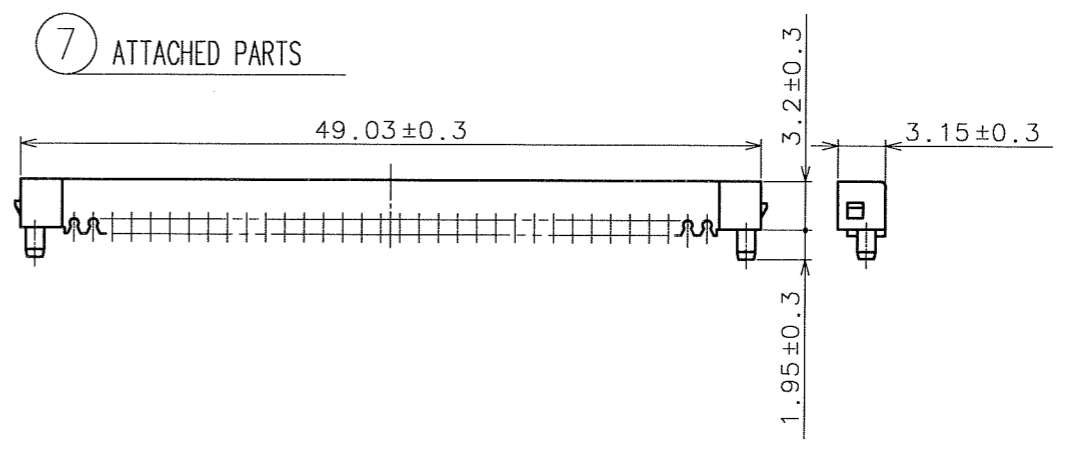
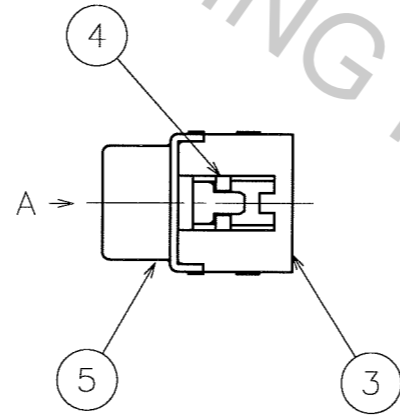
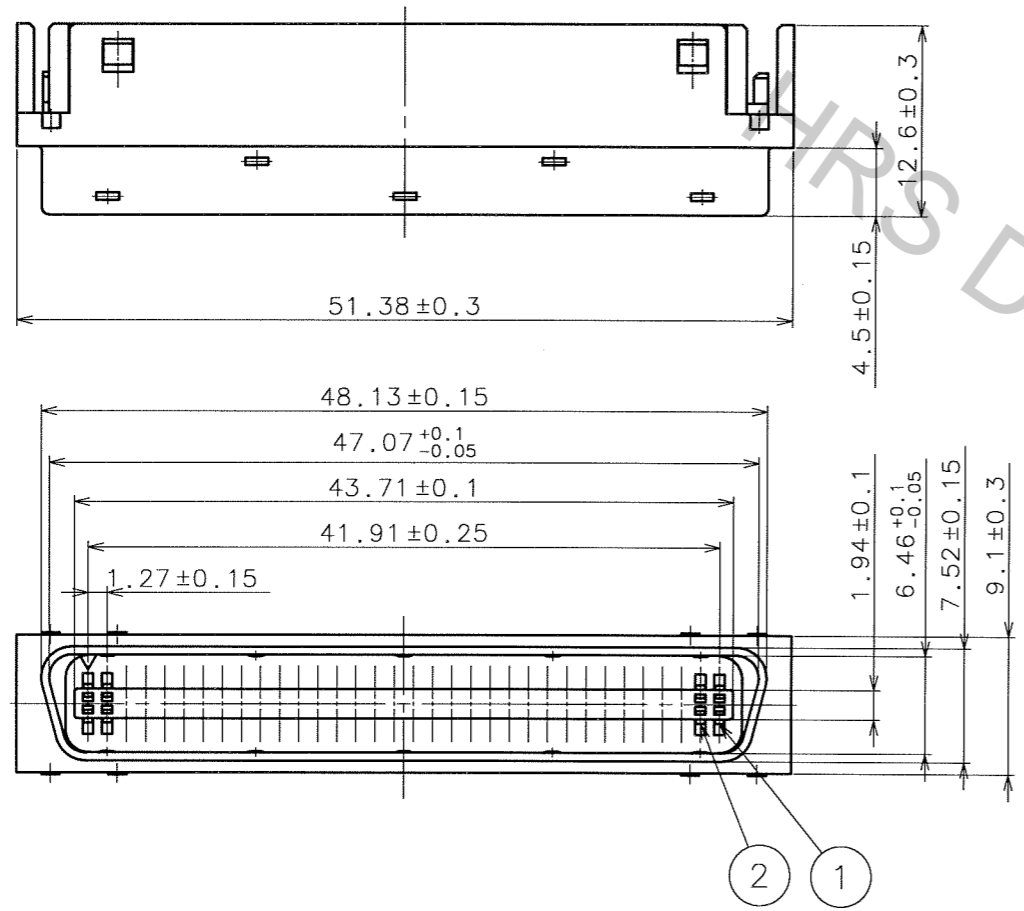


Apr.1.2017 Copyright 2017 HIROSE ELECTRIC CO., LTD. All Rights Reserved.

COUNT	DESCRIPTION OF REVISIONS	BY	CHKD	DATE	COUNT	DESCRIPTION OF REVISIONS	BY	CHKD	DATE
2	DIS-E-000197	Y.S	Y.E	05.08.29					



NOTE 1 FIXING FORCE OF REF.NO ③ TO BE 100N MIN TO DIRECTION A.

4	PBT	UL94V-0(BLACK)				
3	PBT	UL94V-0(BLACK)	7	PBT	UL94V-0(BLACK)	
2	BERYLIUM COPPER	CONTACT AREA:GOLD PLATING IDC AREA:GOLD FLASH PLATING	1	6	PBT	UL94V-0(BLACK)
1	BERYLIUM COPPER	CONTACT AREA:GOLD PLATING IDC AREA:GOLD FLASH PLATING	1	5	STEEL	NICKEL PLATING
NO.	MATERIAL	FINISH, REMARKS	NO.	MATERIAL	FINISH, REMARKS	

CODE NO. (OLD)	DRAWN	DESIGNED	CHECKED	APPROVED	RELEASED
	K. IWABUCHI	K. IWABUCHI	T. ASO	H. TANAKA	
	98.05.23	98.05.23	98.05.23	98.05.26	

 SCALE 2 : 1 UNITS mm	DRAWING NO. EDC3-040387 HRS HIROSE ELECTRIC CO., LTD	PART NO. DX30AM-68P CODE NO. CL230-5029-8	<div style="border: 1px solid black; padding: 2px; display: inline-block;">1/1</div>
-----------------------------	--	--	--

TO
Q1