

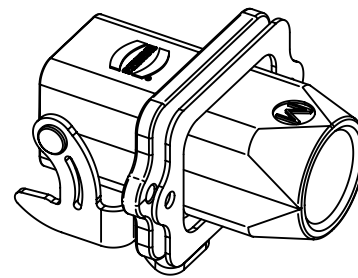
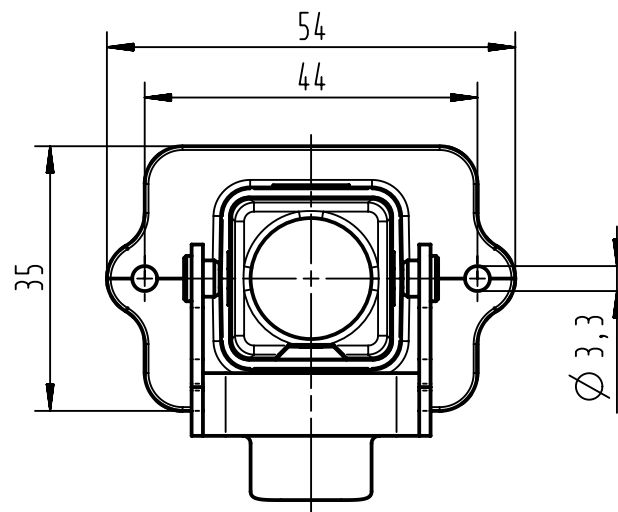
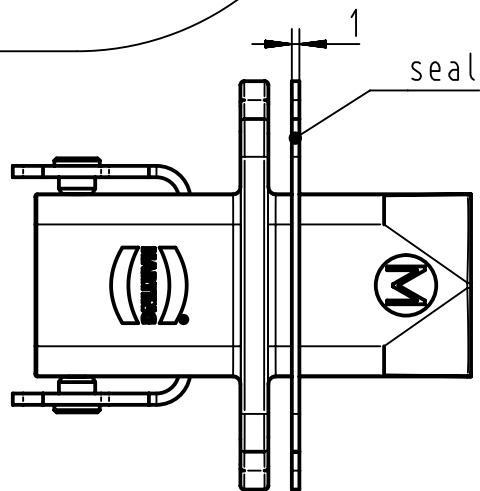
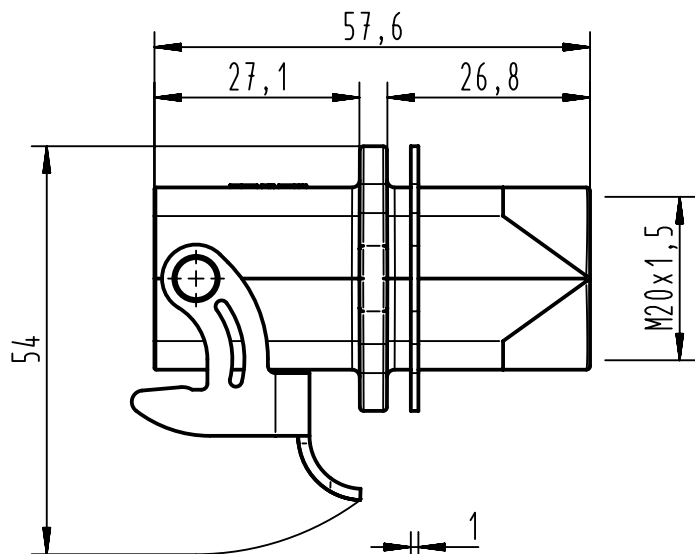
1 2 3 4 5 6

A

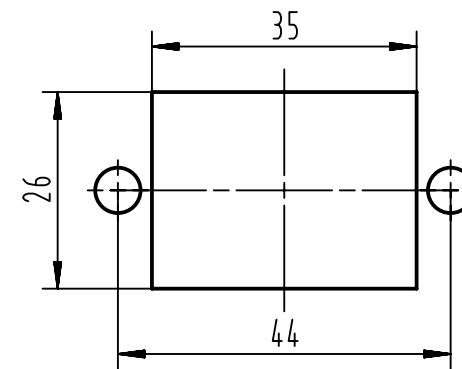
B



C

D



panel cut out



	All Dimensions in mm Original Size DIN A4	Scale 1:1		Free size tol.		Ref.	
						Sub. TB 19 20 003 1120 v. 20.09.2010	
	All rights reserved Department EL PD - DE	Created by RULLKOETTER	Inspected by MOOR	Standardisation RUETERA	Date 2013-03-05	State Final Release	
		Title Han 3A Bulkhead feed-thru housing					Doc-Key / ECM-Nr. 100196418/UGD/008/A 500000059701
HARTING Electric GmbH & Co. KG D-32339 Espelkamp		Type TB	Number 19 20 003 1120			Rev. A	Page 1/1