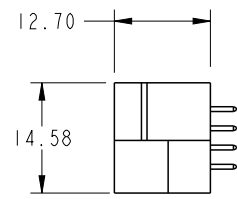
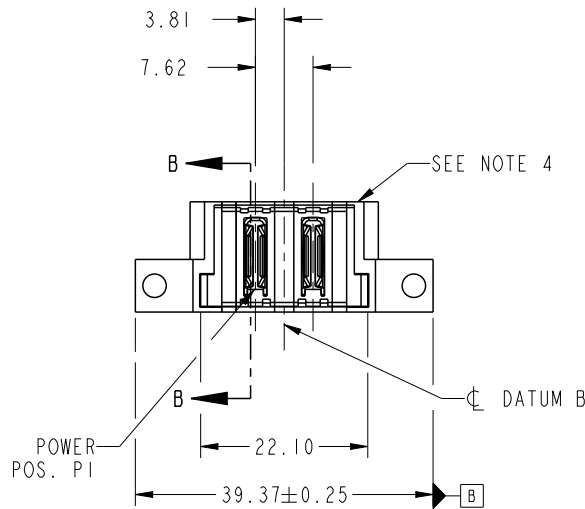
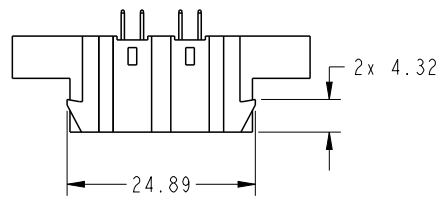


PRODUCT NO.	POWER			
	E1	P1	P2	E2
51963-082-- NOTE ③				



CODE	DIM "M" MATING LENGTH	CONTACT TYPE
PA	[N/A]	POWER

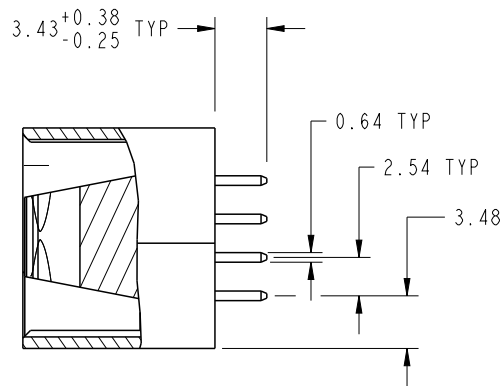
spec ref	-			dr	Luo Weller	2013/12/22	projection 	MM ←→	size	A4	scale	1:1
tolerance std	TOLERANCES UNLESS OTHERWISE SPECIFIED			eng	Luo Weller	2013/12/26			ecn no	-		
SEE NOTE				chr	-	-			rel level	Released		
surface ✓	linear	0.X	±0.5	FCI	www.fci.com	title	2ACP	dwg no	51963-082	rev	A	
		0.XX	±0.25									
		0.XXX	±0.1									
	angular	0°	±2°	cat. no.	&model_name	Product - Customer Drw	sheet 1 of 4					



Copyright FCI.

PRODUCT NUMBER

51963-082--
NOTE 3



SECTION B-B
SCALE 2:1

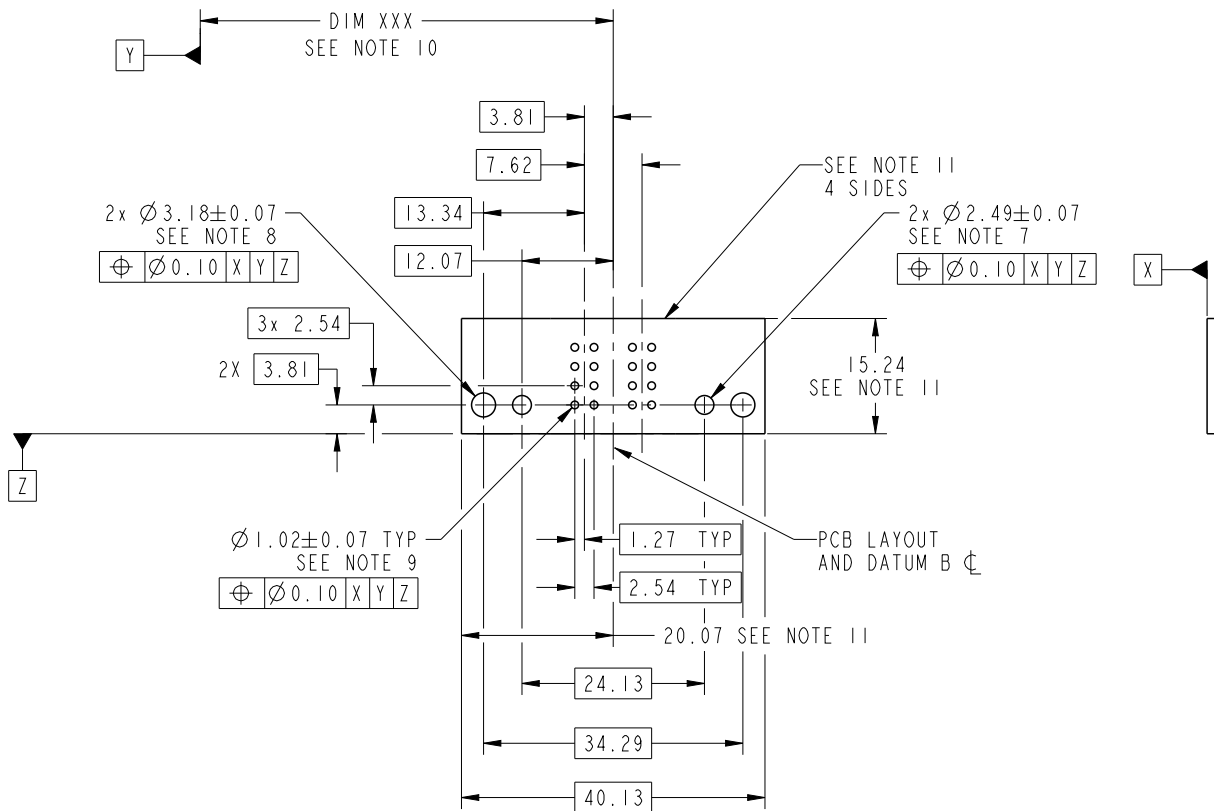


Copyright FCI.

dr	Luo Weller	2013/12/22	projection 	MM 	size	A4	scale	1:1			
eng	Luo Weller	2013/12/26			ecn no	-					
chr	-	-			product family	PwrBlade	rel level	Released			
appr	Pei-Ming Zheng	2013/12/26			title	2ACP		dwg no	51963-082	rev	A
www.fci.com		cat. no.	&model_name	Product - Customer Drw			sheet 2 of 4				

PRODUCT NUMBER

51963-082__
NOTE 3



Copyright FCI.

dr	Luo Weller	2013/12/22	projection 	MM 	size	A4	scale	1:1
eng	Luo Weller	2013/12/26			ecn no	-		
chr	-	-						
appr	Pei-Ming Zheng	2013/12/26	product family	PwrBlade	rel level	Released		
	title	2ACP VERTICAL SOLDER HEADER		dwg no	51963-082		rev	A
www.fci.com	cat. no.	&model_name	Product - Customer Drw		sheet 3 of 4			

PRODUCT NUMBER

51963-082__
NOTE 3

NOTES:

1. DIMENSIONS AND TOLERANCES ARE IN ACCORDANCE WITH ASME Y14.5M, 1994 UNLESS OTHERWISE SPECIFIED.

CONNECTOR NOTES:

- ② HOUSING MATERIAL: UL 94 V-0 GLASS FILLED HIGH-TEMP THERMOPLASTIC
POWER CONTACT MATERIAL: COPPER ALLOY
SIGNAL PIN MATERIAL: COPPER ALLOY
 - 3. PLATING:
SEE ITEM 1 & 2 IN PRINT 10064183 FOR PLATING SPEC OF 51963-082; 51963-082LF PRESPECTIVELY
 - ④ MANUFACTURER'S NAME, DATE CODE AND OPTIONAL P/N TO APPEAR ON THIS SURFACE.
THE P/N CAN BE OMITTED IF THERE IS NOT ENOUGH SPACE ON THIS SURFACE
 - 5. PRODUCT SPECIFICATION GS-12-149.
APPLICATION SPECIFICATION BUS-20-067.
 - 6. PACKAGED IN TRAYS.
- PCB NOTES:
- 7. ALL HOLE DIAMETERS ARE FINISHED HOLE SIZE.
 - 8. MOUNTING HOLES, WHERE APPLICABLE, ARE UNPLATED.
- ⑨ $\varnothing 1.151 \pm 0.025$ DRILLED HOLES PLATED WITH
0.008 MIN SnPb OR Sn OVER .001 [0.03]
TO 0.08 Cu PLATING TO ACHIEVE
 $\varnothing 1.02 \pm .07$ HOLE.
 - ⑩ "DIM XXX" TO BE DETERMINED BY THE CUSTOMER.
 - ⑪ CONNECTOR KEEP-OUT ZONE.

dr	Luo Weller	2013/12/22	projection 	MM 	size	A4	scale	1:1	
eng	Luo Weller	2013/12/26			ecn no	-			
chr	-	-							
appr	Pei-Ming Zheng	2013/12/26	product family	PwrBlade	rel level	Released			
		title	2ACP VERTICAL SOLDER HEADER		dwg no	51963-082		rev	A
www.fci.com		cat. no.	&model_name	Product - Customer Drw		sheet 4 of 4			



Copyright FCI.