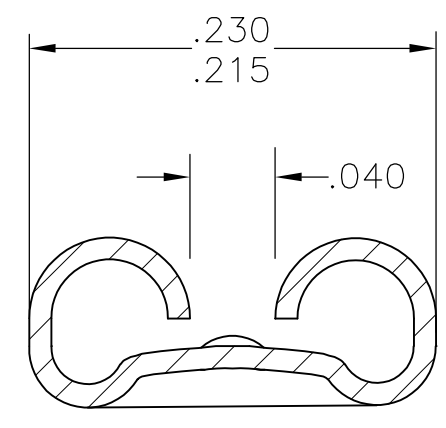
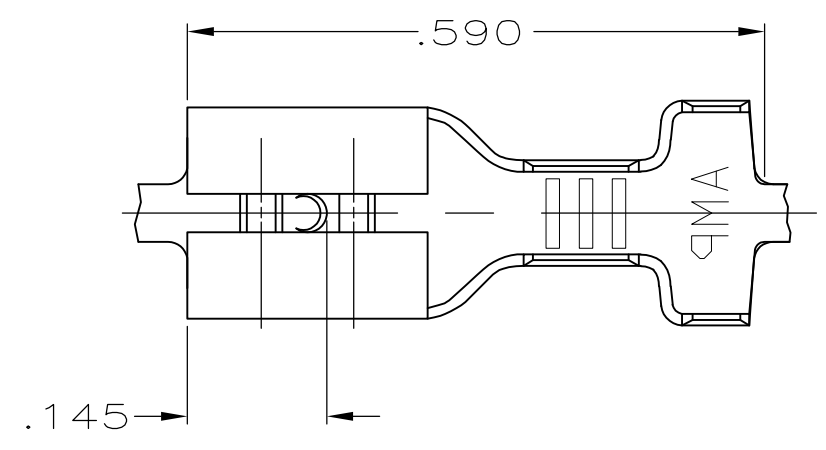


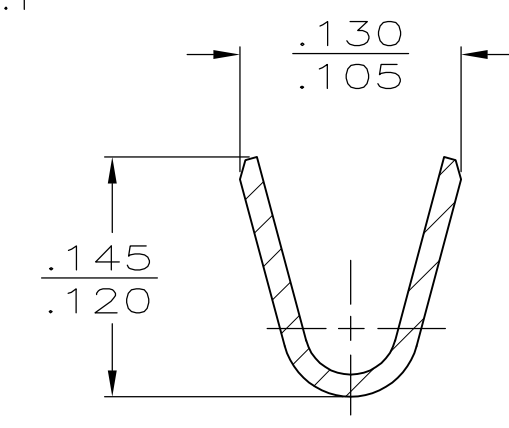
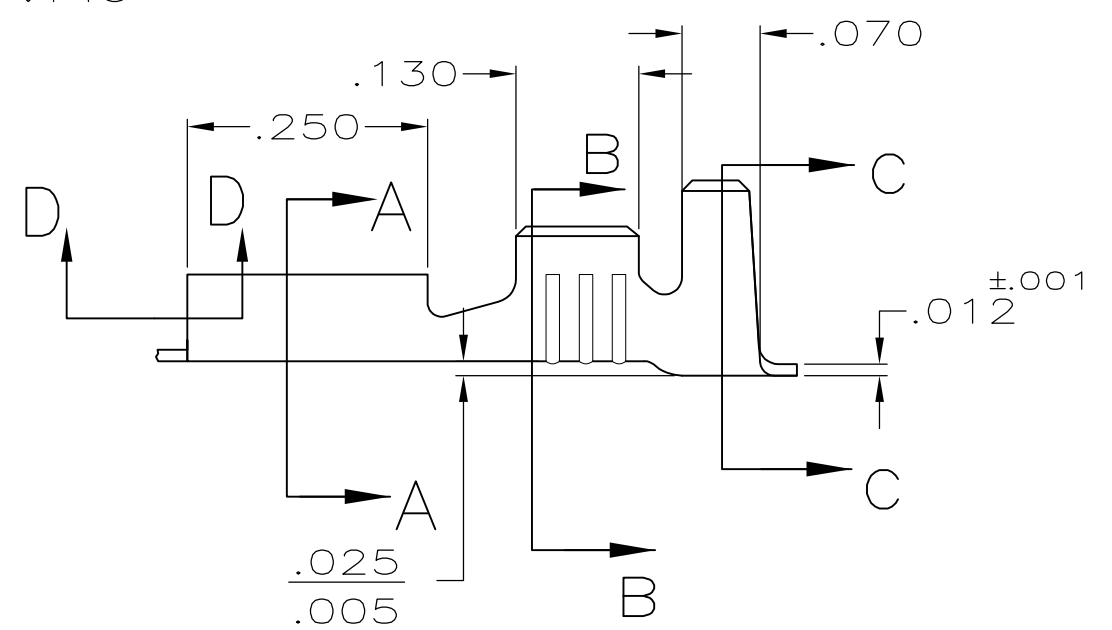
THIS DRAWING IS UNPUBLISHED. RELEASED FOR PUBLICATION
 © COPYRIGHT - By - ALL RIGHTS RESERVED.

LOC	DIST	REVISIONS			
P	LTR	DESCRIPTION	DATE	DWN	APVD
	P	REVISED PER ECR-12-013459	28NOV2012	KH	PD

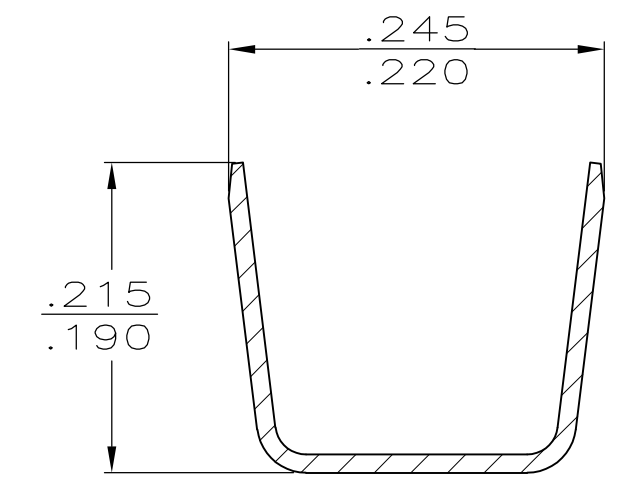
- CONTINUOUS STRIP ON REELS
- WIRE SIZE IS #18-#16 OR TWO #18'S.
- INSULATION RANGE IS .105-.210 OR TWO AT .105 MAX.
- MATING TAB THK IS .032±.001.



SECTION A-A
SCALE 8:1



SECTION B-B
SCALE 8:1



SECTION C-C
SCALE 8:1

SWAGE ON 61945-1 ONLY
SECTION D-D

.000150 MIN NICKEL	T2 STEEL	61945-2
TIN	BRASS	61945-1
FINISH	MATERIAL	PART NO.

F	.210	.188	F	.100	.055	16
					.049	18
TYPE	WIDTH	STRIP LENGTH ±.015	TYPE	WIDTH	#.002 HEIGHT	WIRE
INSUL BARREL CRIMP			WIRE BARREL CRIMP			

THIS DRAWING IS A CONTROLLED DOCUMENT.
 DIMENSIONS: INCHES
 TOLERANCES UNLESS OTHERWISE SPECIFIED:
 0 PLC ± -
 1 PLC ± -
 2 PLC ± -
 3 PLC ± .015
 4 PLC ± -
 ANGLES ± -
 MATERIAL: SEE TABLE
 FINISH: SEE TABLE

DWN JR RUTH 8/21/91
 CHK MS FEHER 8/21/91
 APVD C MEYERS 8/21/91
 PRODUCT SPEC
 APPLICATION SPEC
 WEIGHT -
 CUSTOMER DRAWING

STE TE Connectivity
 RECEPTACLE, FASTON, .187 SERIES
 NAME
 SIZE A3 CAGE CODE 00779 DRAWING NO C-61945 RESTRICTED TO -
 SCALE 5:1 SHEET 1 OF 1 REV P