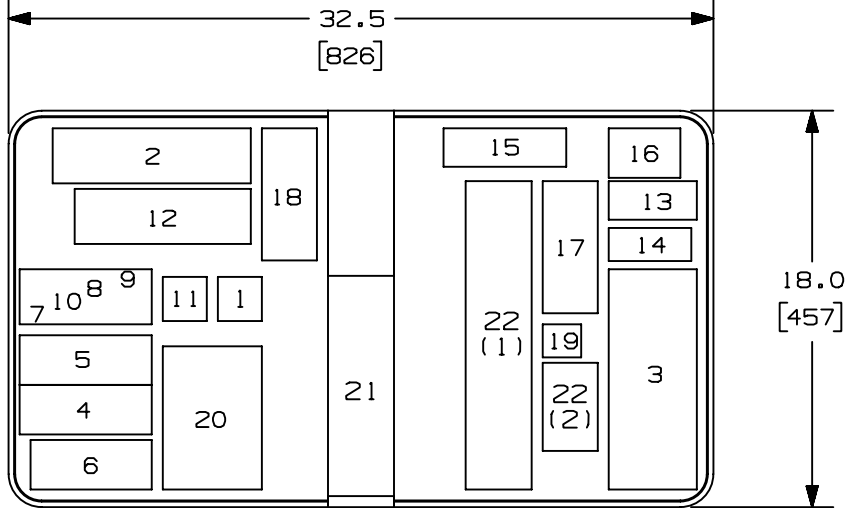
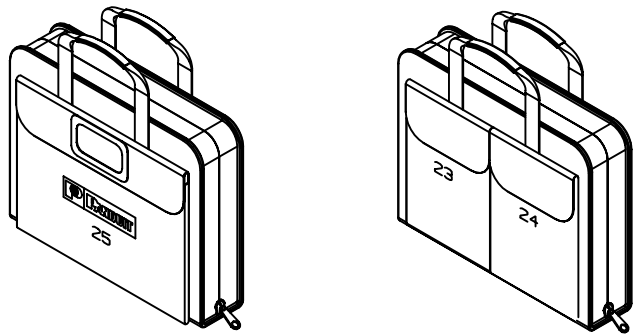
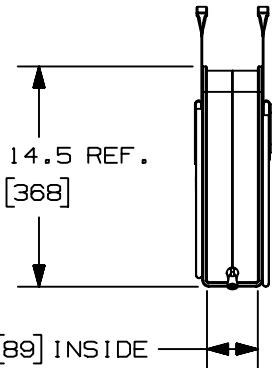



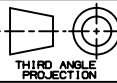
THIS COPY IS PROVIDED ON A RESTRICTED BASIS AND IS NOT TO BE USED IN ANY WAY DETRIMENTAL TO THE INTERESTS OF PANDUIT CORP.



PANDUIT PART NUMBER	DESCRIPTION
FKITCASE	FIBER OPTIC KIT UNIVERSAL CARRYING CASE

- NOTES:
- CASE IS CONSTRUCTED OF RUGGED BLACK CANVAS.
  - ALL DIMENSIONS IN BRACKETS ARE METRIC [mm].
  - SEE CURRENT CATALOG FOR ADDITIONAL INFORMATION PERTAINING TO THIS PRODUCT.
  - SEE SHEET 2 FOR TOOL PLACEMENT IN CARRYING CASE.
  - TOOLS NOT INCLUDED.



								FIBER OPTIC KIT UNIVERSAL CARRYING CASE CUSTOMER DRAWING					
								 PANDUIT <sup>TM</sup> CORP. TINLEY PARK, ILL 60477					
								 THIRD ANGLE PROJECTION		ALL DIMENSIONS ARE GIVEN IN INCHES, UNLESS OTHERWISE SPECIFIED, DIMENSIONAL TOLERANCES ARE: (.X) (.XXX) ± .010 (0.3) (.XX) ± .03 (0.8) ANGLES		DRAWING FILENAME MO1893BE_DC_00A.prt SCALE NONE	
								DRAWN BY MC		REVIEW DRAWING NUMBERS		PART NO. FKITCASE	
								DATE 12-13-04		DRAWING NO. 01893-15		SIZE A	
REV	DATE	BY	CHK	DESCRIPTION	ECN	R	CUST	SUP	OTH	CHK'D			
R	12-21-04	MC		RELEASED TO PRODUCTION	01893-15								

THIS COPY IS PROVIDED ON A RESTRICTED BASIS AND IS NOT TO BE USED IN ANY WAY DETRIMENTAL TO THE INTERESTS OF PANDUIT CORP.

FKITCASE - FIBER OPTIC UNIVERSAL KIT CARRY CASE - TOOL PLACEMENT

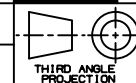
NOTE! NOT ALL ITEMS LISTED BELOW ARE INCLUDED IN EACH KIT OFFERED BY PANDUIT

POCKET	PANDUIT P/N	DESCRIPTION	POCKET	PANDUIT P/N	DESCRIPTION
1	FJPKGU	2.5mm UNIVERSAL POLISHING PUCK	20	FPWIRE	PIANO WIRE
2	FGRP5	UNIVERSAL CRIMP TOOL (HEX SIZES: .048", .100", .128", .151", .190")	(CON'T)	FSWB	CLEANING SWABS
3	FSCOPE	200x MICROSCOPE	21	OCTT	OPTI-CAM TERMINATION TOOL
4	CST115	FIBER CABLE JACKET STRIPPER	22	FHSCT	HEAT SHRINK TOOL (TOOL IN POCKET 22-1, CORD IN POCKET 22-2)
5	FKS	ARIMID YARN SHEARS	23	FPAD	70 DUROMETER POLISHING PAD
6	FBFSP	FIBER BUFFER STRIPPER		FLCPAD	85 DUROMETER POLISHING PAD
7	FTWEEZR	TWEEZERS		FWIPES	LINT-FREE WIPES
8	FSCDVR	SCREWDRIVER		FST	FIBER SAFETY TAB STICKERS
9	FSCRIBE	CARBIDE SCRIBE		FPP5	5um A1203 POLISHING FILM
10	PFX-0	FINE-TIP MARKING PEN		FPF1	1um DIAMOND POLISHING FILM
11	FLCPK	LC POLISHING PUCK		FPP1	1um A1203 POLISHING FILM
12	FLPT	CRIMP TOOL FOR POT AND POLISH CONNECTORS		FLCFPLF	0.05um LAPPING FILM
13	FJPMR	ANAEROBIC ADHESIVE PRIMER		N/A	STRIPPING TEMPLATES
14	FJPHY	ANAEROBIC ADHESIVE		24	FVFLPC-2.5SM
15	FWTRBTL	WATER BOTTLE	FVFLPC-1.25SM		VFL SM 1.25mm UNIVERSAL PATCH CORD
16	FALCBTL	ALCOHOL BOTTLE	FVFLPC		VFL 50um 2.50mm UNIVERSAL PATCH CORD
17	FGLASS	SAFETY GLASSES	25	FWRKMAT	FIBER SAFE WORK MAT
18	FJQCVR	FIBER CLEAVER TOOL		LJSL4-Y3-2.5	CABLE LABELS
19	N/A	EYE LOUPE		N/A	INSTRUCTION SHEETS
20	FSYR	SYRINGES			
	FNTIP	NEEDLE TIPS FOR SYRINGE			

FIBER OPTIC KIT  
UNIVERSAL CARRYING CASE  
CUSTOMER DRAWING



**PANDUIT**™  
CORP.  
TINLEY PARK, ILL 60477



THIRD ANGLE  
PROJECTION  
DRAWN BY MC

ALL DIMENSIONS ARE GIVEN IN INCHES,  
UNLESS OTHERWISE SPECIFIED,  
DIMENSIONAL TOLERANCES ARE:  
(.X) (.XXX)±  
(.XX)± ANGLES

DRAWING FILENAME  
MO1893BE\_DC\_00A.prt

SCALE  
NONE

PART NO.  
FKITCASE

DRAWING NO.

01893-15  
SHT. 2 of 2

SIZE  
A

REV	DATE	BY	CHK	DESCRIPTION	ECN	R	CUST	SUP	OTH
R	12-21-04	MC		REFER TO 01893-15, SHEET 1	01893-15				

DATE  
12-13-04  
CHK'D

REVIEW DRAWING NUMBERS