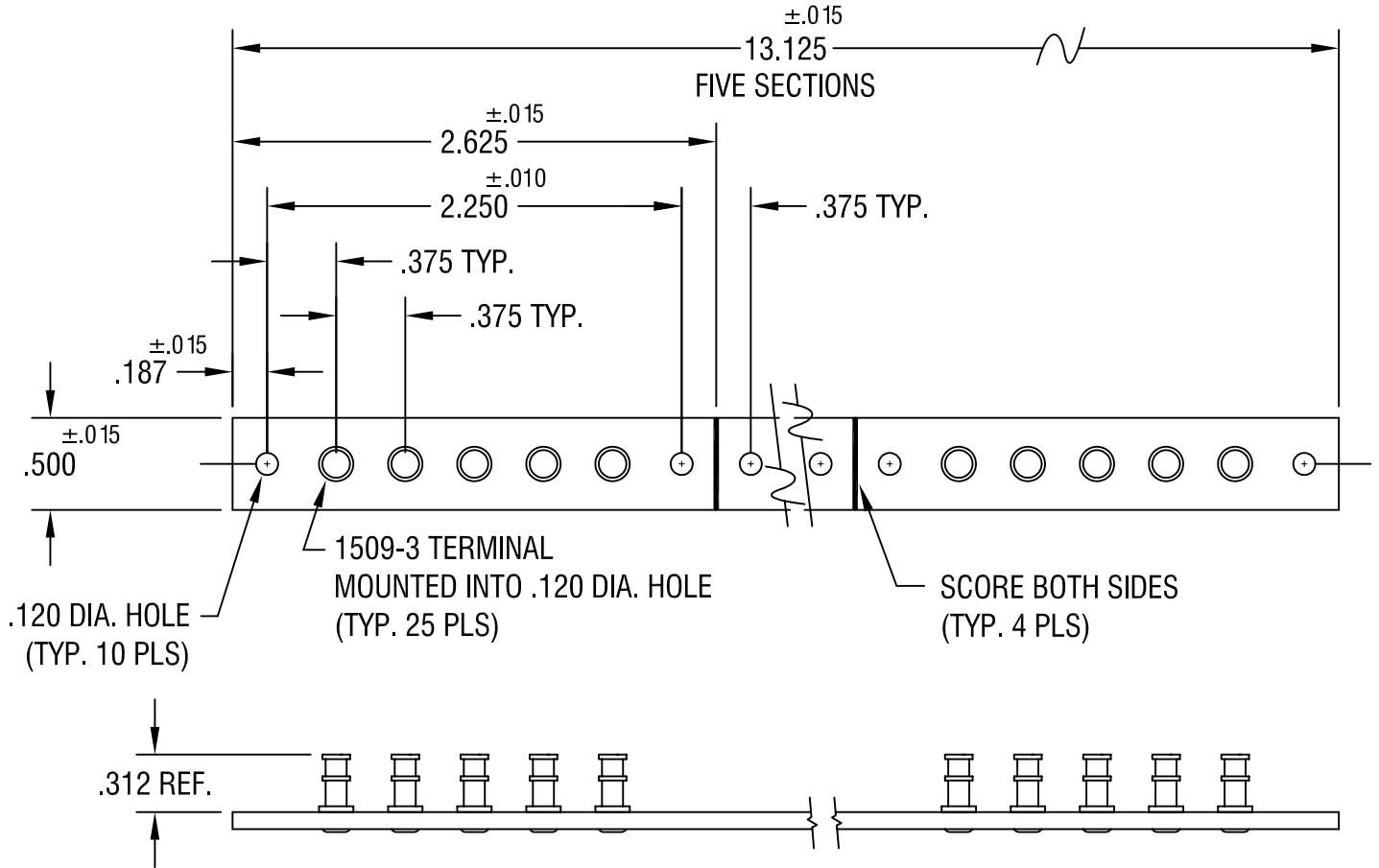


THIS DOCUMENT IS THE PROPERTY OF KEYSTONE ELECTRONICS CORP. AND SHALL NOT BE REPRODUCED, DISTRIBUTED OR USED AS A BASIS FOR MANUFACTURE WITHOUT PRIOR WRITTEN PERMISSION FROM KEYSTONE ELECTRONICS CORP.



KEYSTONE ELECTRONICS CORP.

ASTORIA, N.Y. 11105-2017

PART NAME		TERMINAL BOARD	
MATERIAL		.093 TH'K G-10 GLASS EPOXY	
FINISH	DRN BY	BOONE	DATE
	APP'D	LN	SCALE
AS NOTED		1.20.98	
TOLERANCES		INCH [MM]	CODE
DECIMAL		±.005 [±]	DWG NO.
ANGULAR		± 1°	C/M
UNLESS OTHERWISE SPECIFIED		15291	

11.18.04	CHANGE AS PER ECN 04-150	A
DATE	DESCRIPTION	REV.