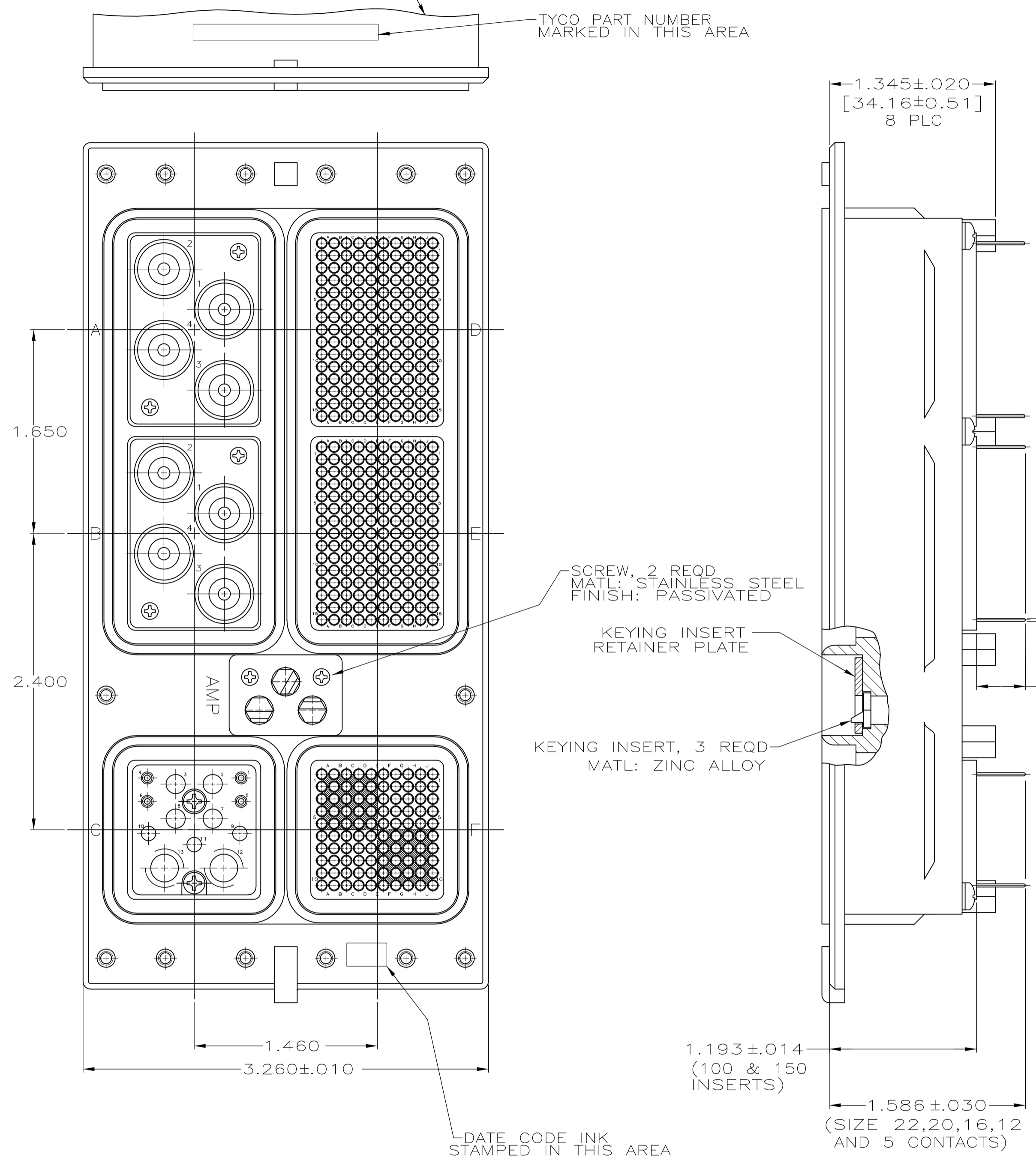
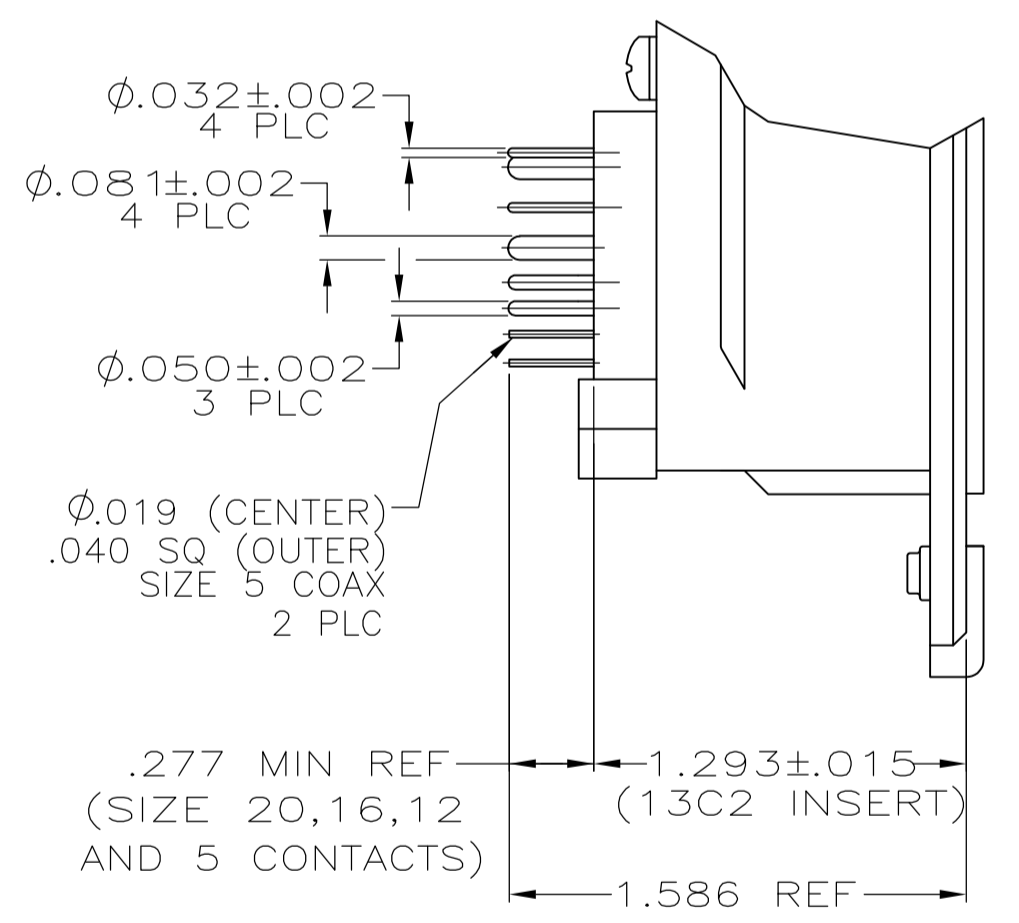
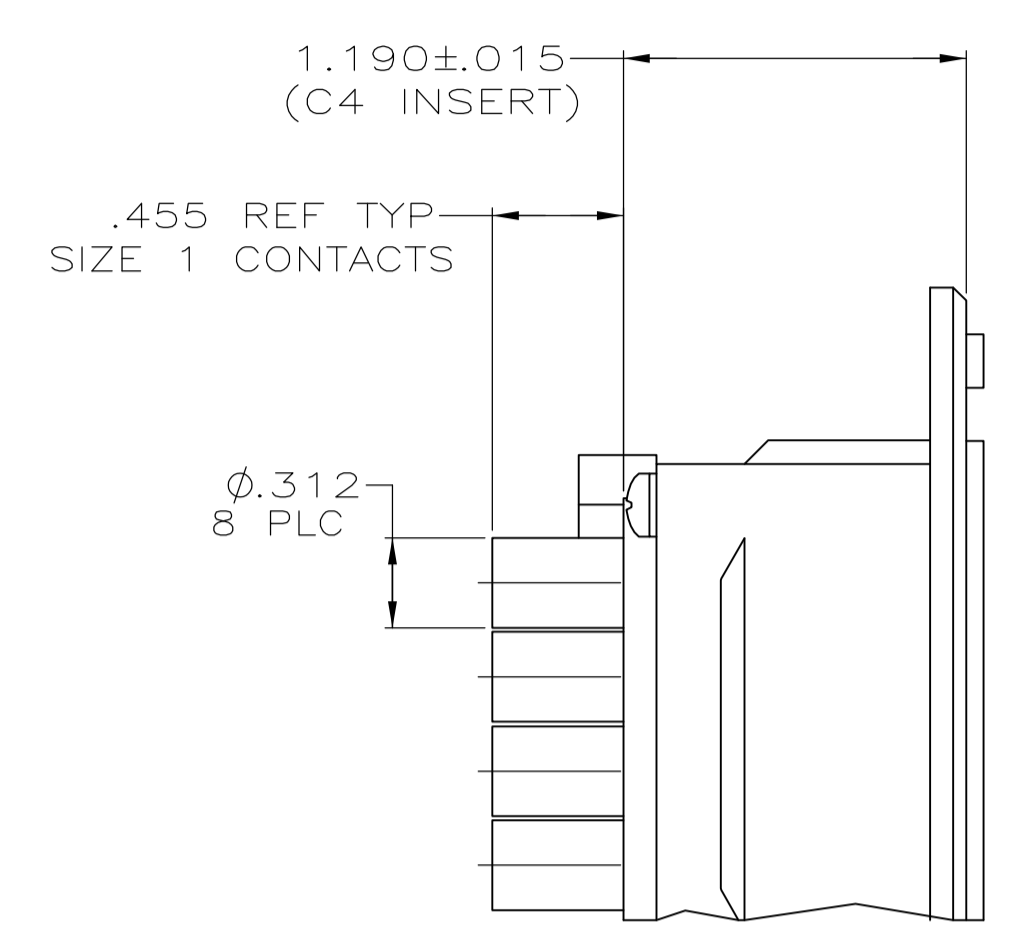


LOC		DIST		REVISIONS			
DF	AO	F	LTR	DESCRIPTION	DATE	DN	APVD
		A		REVISED PER ECO-10-010827	05AUG10	CT	KT

RECEPTACLE SHELL,  
 MATL: ALUMINUM ALLOY PER  
 QQ-A-591  
 FINISH: CHROMATE (ALODINE 1200)  
 PER MIL-C-5541 CLASS 1A

TYCO PART NUMBER  
 MARKED IN THIS AREA

STANDOFF & LOCKWASHER  
 MAT'L: STAINLESS STEEL  
 FINISH: PASSIVATED  
 8 PLC



SCREW, 2 REQD  
 MATL: STAINLESS STEEL  
 FINISH: PASSIVATED

KEYING INSERT  
 RETAINER PLATE

KEYING INSERT, 3 REQD  
 MATL: ZINC ALLOY

RETAINER PLATE, 6 REQD  
 MATERIAL: ALUMINUM  
 FINISH: CHROMATE (ALODINE 1200)  
 PER MIL-C-5541 CLASS 1A

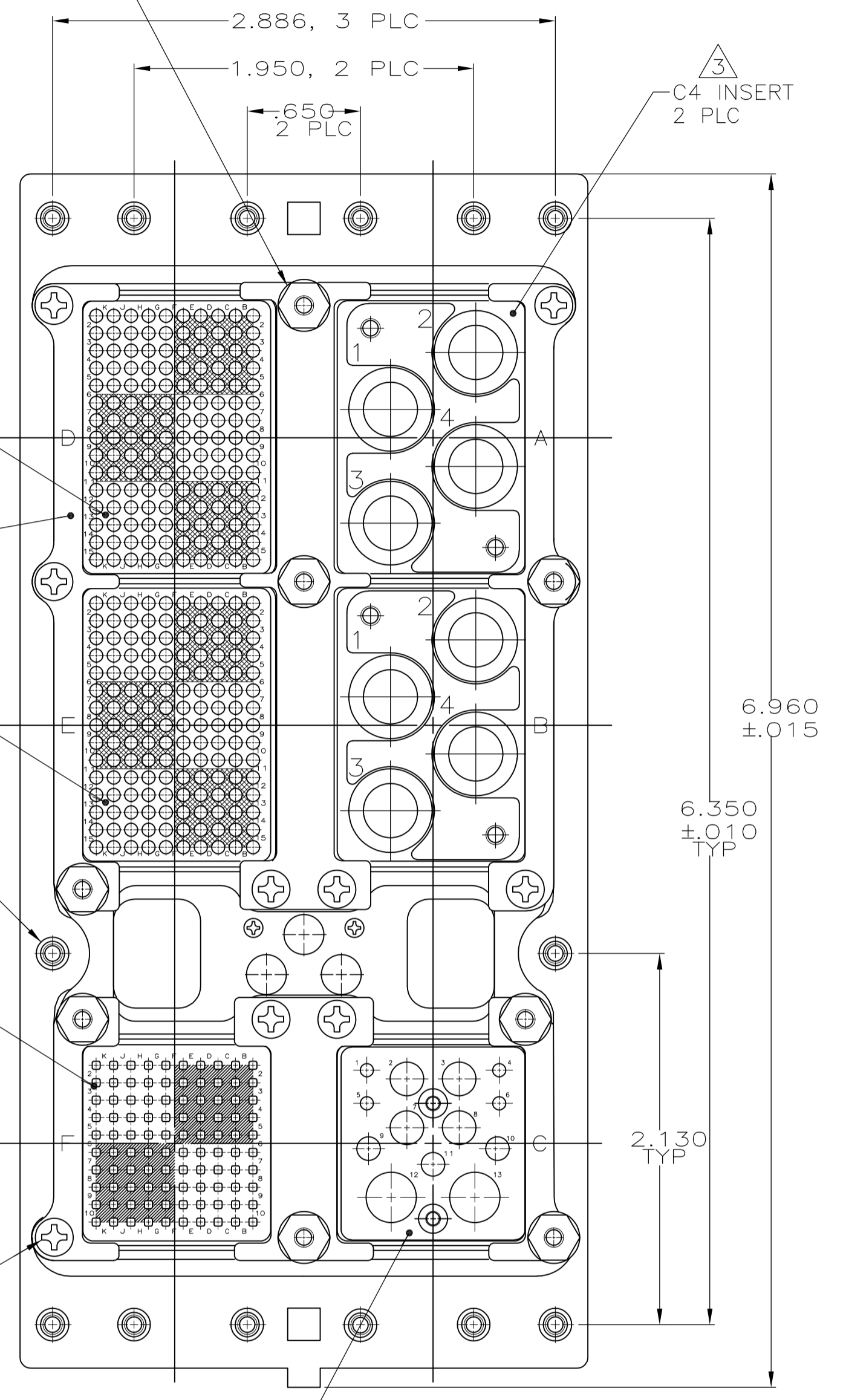
150 POSN  
 SOCKET INSERT

150 POSN  
 SOCKET INSERT

#4-40 CLINCH NUT (14 PLC)  
 MATERIAL: STEEL  
 FINISH: PLATED CADMIUM

100 POSN  
 SOCKET INSERT

SCREW & LOCKWASHER, 17 REQD  
 MAT'L: STEEL  
 FINISH: CHROMATE COATED ZINC



- FOLLOWING CONTACTS ARE INCLUDED AND LOADED:  
 SIZE 22: AMP P/N 211431-6; QTY=400  
 SIZE 20: AMP P/N 446546-3; QTY=4  
 SIZE 16: AMP P/N 446547-3; QTY=3  
 SIZE 12: AMP P/N 446548-3; QTY=4  
 SIZE 5 COAX: 447335-2; QTY=2  
 SIZE 1 COAX WITH OSP ADAPTER: 1218713-1; QTY=8
- POLARIZING KEYS ARE INSTALLED IN POSITION 40.

- △ INSERT MATERIAL: DIE CAST ALUMINUM PER ASTM-B-85.  
 INSERT FINISH: CHROMATE PER MIL-C-5541
- ▲ INSERT MATERIAL: GLASS EPOXY OR POLYPHENYLENE SULFIDE  
 PER MIL-M-24519.

DATE CODE INK  
 STAMPED IN THIS AREA

1757225-1  
 PART  
 NUMBER

THIS DRAWING IS A CONTROLLED DOCUMENT.		DN C.C.THOMAS 7-9-04	Tyco Electronics Tyco Electronics Corporation Harrisburg, PA 17105-3608																		
DIMENSIONS: INCHES		CHK K.HOGAN 7-9-04																			
TOLERANCES UNLESS OTHERWISE SPECIFIED:		APVD S.GLATFELTER 7-9-04	NAME																		
<table border="1"> <tr><td>0 PLC</td><td>±</td><td>-</td></tr> <tr><td>1 PLC</td><td>±</td><td>-</td></tr> <tr><td>2 PLC</td><td>±</td><td>-</td></tr> <tr><td>3 PLC</td><td>±</td><td>-</td></tr> <tr><td>4 PLC</td><td>±</td><td>-</td></tr> <tr><td>ANGLES</td><td>±</td><td>-</td></tr> </table>		0 PLC	±	-	1 PLC	±	-	2 PLC	±	-	3 PLC	±	-	4 PLC	±	-	ANGLES	±	-	PRODUCT SPEC	RECEPTACLE ASSY, SIZE 3, FRONT RELEASE, TCAS
0 PLC	±	-																			
1 PLC	±	-																			
2 PLC	±	-																			
3 PLC	±	-																			
4 PLC	±	-																			
ANGLES	±	-																			
MATERIAL SEE CALLOUTS		FINISH SEE CALLOUTS	APPLICATION SPEC																		
WEIGHT		SIZE A1	CAGE CODE 00779																		
CUSTOMER DRAWING		DRAWING NO 1757225	RESTRICTED TO																		
SCALE 1:1		SHEET 1 of 1	REV A																		