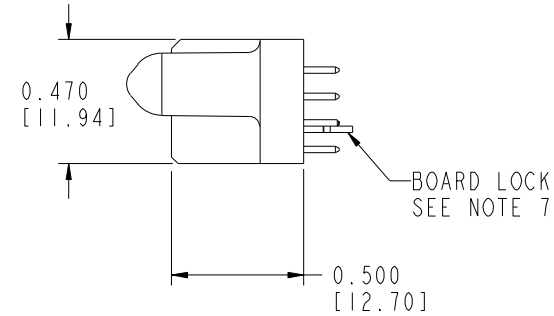
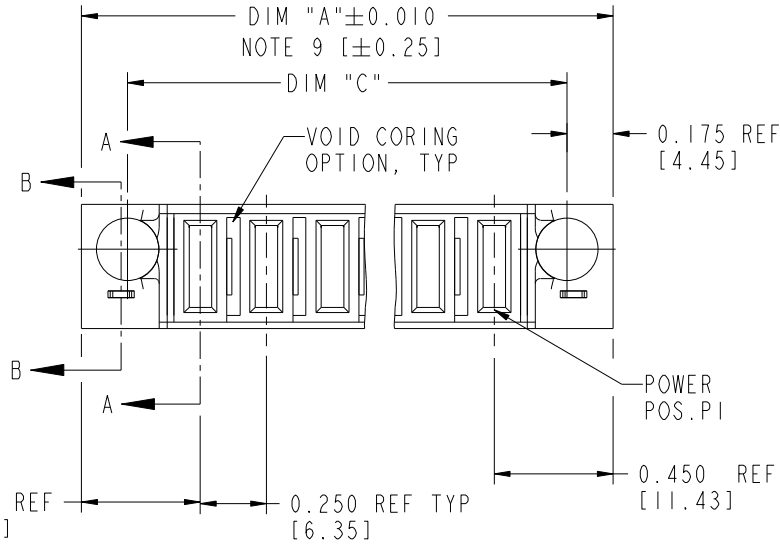
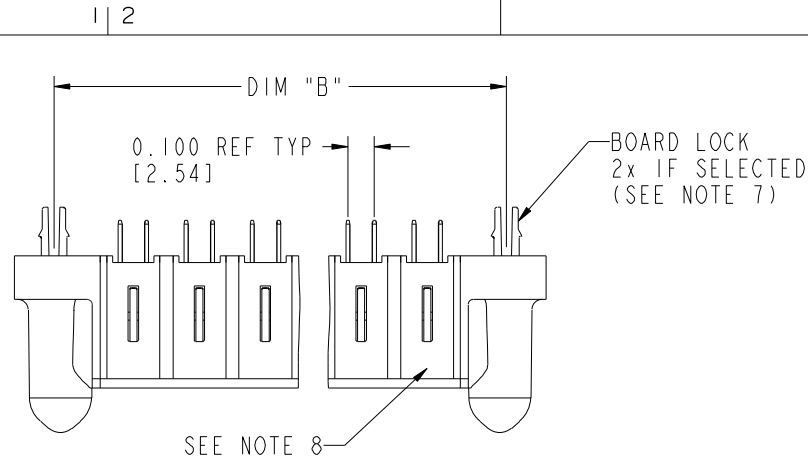


Tous droits strictement réservés. Reproduction ou communication à des tiers interdite sous quelque forme que ce soit sans autorisation écrite du propriétaire. Propriété de c.FCI. Droits de reproduction FCI.



All rights strictly reserved. Reproduction or issue to third parties in any form whatsoever is not permitted without written authority from the proprietor. Property of FCI. Copyright FCI.

PRODUCT NUMBER
51743-ABB00000EF_..
Note: ①
SEE NOTE 1



0.450 REF [11.43] 0.250 REF TYP [6.35]

mat'l code				SEE NOTE 2		tolerances unless otherwise specified		CUSTOMER		FCI	
ltr	ecn no.	dr	date	linear	.XX±.01/.X±.3	projection	COPY		www.fciconnect.com		
A	V02388	JWS	10/5/00		.XXX±.005/.XX±.13		title		VERTICAL RECEPTACLE w/GUIDE PIN POWER		
B	V03-1368	TAB	01/06/04	angles	.XXXX±.0020/.X±.051		INCH/MM		product family PWRBLADE code 213		
C	DG05-0132	SJ	06/02/05	dr	0°±2°		scale		size dwg no 51743 sheet 1 of 3		
D	DG05-0153	SJ	06/10/05	enr	LEV4 10/14/99		3:2				
E	DG08-0239	JC	09/11/08	chr	J. BROWN 10/14/99						
				appd	J. BROWN 10/14/99						
sheet index	revision sheet	E 1	E 2	E 3					cage code 22526		

Pro/E

cage code 22526

Tous droits strictement réservés. Reproduction ou communication à des tiers interdite sous quelque forme que ce soit sans autorisation écrite du propriétaire. Propriété de c FCI. Droits de reproduction FCI.

All rights strictly reserved. Reproduction or issue to third parties in any form whatsoever is not permitted without written authority from the proprietor. Property of FCI. Copyright FCI.

PRODUCT NUMBER
51743-ABB00000EF__
Note: ①
SEE NOTE 1

DIM	LENGTH FORMULAS (SEE NOTE 9)
DIM "A"	.250 [6.35] x BB + .650 [16.51] (NOTE 9)
DIM "B"	.250 [6.35] x BB + .350 [8.89]
DIM "C"	.250 [6.35] x BB + .300 [7.62]
DIM "F"	.250 [6.35] x BB + .680 [17.27]

CONNECTOR NOTES:

- ①. PRODUCT NUMBER CODE:
 51743 - A BB 000 00 E F LF
- NO THIS SUFFIX: 100µ"/2.54µm SnPb ON PCB INTERFACE
 - ADD THIS SUFFIX: 78µ"/2.00µm Sn ON PCB INTERFACE
 - RETENTION TO PCB (NOTE 7)
 - TAIL OPTIONS (NOTE 6)
 - ALWAYS '00' (ZERO,ZERO)
 - ALWAYS '000' (ZERO,ZERO,ZERO) (NOTE 5)
 - NUMBER OF POWER CONTACTS (NOTE 4)
 - PLATING (NOTE 3)
 - BASE NUMBER

- ②. HOUSING MATERIAL: GLASS FILLED V-0 HIGH TEMP THERMO PLASTIC
 POWER CONTACT MATERIAL: COPPER ALLOY

- ③. PLATING OPTION:
 SEE PRINT 10064183 FOR PLATING SPEC OF 51743-1BB00000EF; 51743-1BB00000EFLF

- ④. POWER CONTACT, 01 TO 20 AVAILABLE.
 MAXIMUM OF 20 POWER CONTACTS PER CONNECTOR

- ⑤. THIS PART IS NOT AVAILABLE WITH SIGNAL CONTACTS.

- ⑥. TAIL OPTIONS:
 A = .135±.010 [3.43±.25] SOLDER TO BOARD
 C = .135±.010 [3.43±.25] PRESS FIT

- ⑦. RETENTION TO PCB OPTIONS:
 A = BOARD LOCK (REQUIRES .098 + 0.002, - 0.001 [2.49 + 0.05, - 0.03] THRU HOLE IN PCB (NOT AVAILABLE WITH PRESS FIT.)
 BOARD LOCK TO BE USED IN CONJUNCTION WITH AN 0.092[2.34] PCB OR THICKER
 C = NO RETENTION FEATURE (ALL PRESS FIT)

- ⑧. MANUFACTURE'S NAME, P/N, AND DATE CODE TO APPEAR ON THIS SURFACE.

- ⑨. THE MAXIMUM OVERALL LENGTH (DIM A) OF A PART IS 8.00 [203.2].

10. PRODUCT SPECIFICATION GS-12-149.

11. REFERENCE 51698 FOR SPECIALS WORKSHEET.

PCB NOTES:



12. ALL DIMENSIONS ARE BASIC UNLESS OTHERWISE SPECIFIED.

13. ALL THROUGH HOLES ARE LOCATED WITH A TRUE POSITION OF 0.004 [0.10].

14. ALL HOLE DIAMETERS ARE FINISHED HOLE SIZE.

15. Ø0.0453±0.001 [1.151±0.02] DRILLED HOLES PLATED WITH 0.0003 [0.007] MIN SnPb OVER 0.001 [0.03] TO 0.003 [0.08] PLATING TO ACHIEVE A 0.040±0.003 [1.02±0.08] HOLE.

16. A  SYMBOL WILL BE NEXT TO ANY DIMENSION, VIEW, OR NOTE WHICH HAS BEEN MODIFIED WITH THE CURRENT DRAWING REVISION.

mat'l code				SEE NOTE 2		tolerances unless otherwise specified		CUSTOMER				www.ficconnect.com	
ltr	ecr no.	dr	date	linear	.XX±.01/.X±.3		COPY			title			VERTICAL RECEPTACLE w/GUIDE PIN POWER
E					.XXX±.005/.XX±.13		projection			product family			
				angles	.XXX±.0020/.X±.051		INCH/MM		size		sheet		
					0°±2°		scale		dwg no		213		
				dr	LEV4	10/14/99	3:2		A		51743		
				enrg	J. BROWN	10/14/99					2		
				chr	J. BROWN	10/14/99							
				appd	J. BROWN	10/14/99							
sheet index		revision sheet											

cage code 22526

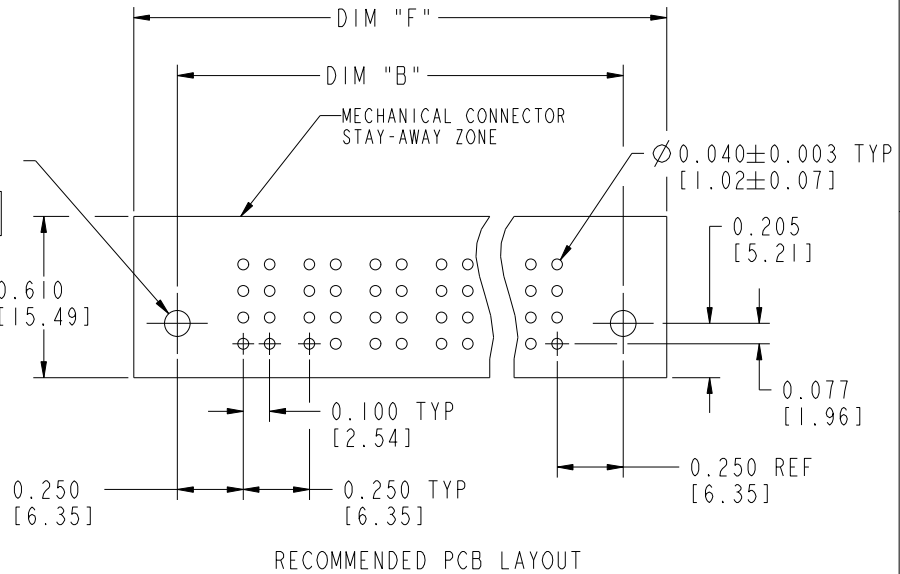
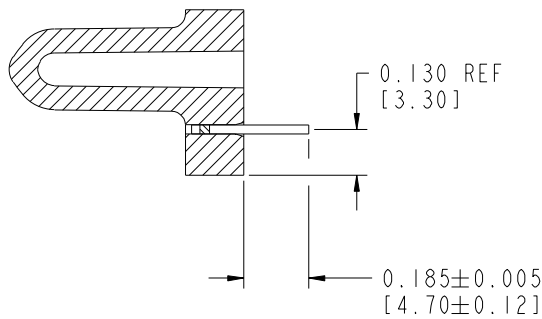
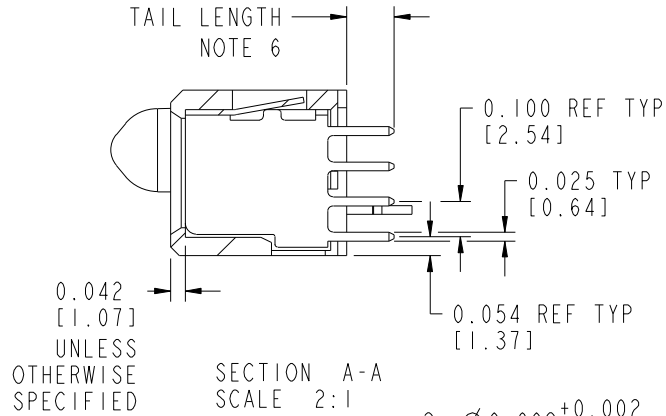
Pro/E

Tous droits strictement réservés. Reproduction ou communication à des tiers interdite sous quelque forme que ce soit sans autorisation écrite du propriétaire. Propriété de c.FCI. Droits de reproduction FCI.



All rights strictly reserved. Reproduction or issue to third parties in any form whatever is not permitted without written authority from the proprietor. Property of FCI. Copyright FCI.

PRODUCT NUMBER
51743-ABB00000EF_..
Note: ①
SEE NOTE 1



mat'l code		SEE NOTE 2		tolerances unless otherwise specified		CUSTOMER		FCI	
ltr	ecn no.	dr	date	linear	.XX±.01/.X±.3	projection	COPY	www.ficconnect.com	
E				angles	.XXX±.005/.XX±.13	INCH/MM		title VERTICAL RECEPTACLE w/GUIDE PIN POWER	
				dr	.XXX±.0020/.X±.051	scale		product family	PWRBLADE
				enr	0°±2°	3:2		size	A
				chr	LEV4 10/14/99			dwg no	51743
				appd	J. BROWN 10/14/99			code	213
sheet index	revision sheet							sheet	3

Pro/E

cage code 22526